

## Features

- Dimmable LED task lighting
- Integrated touch sensor control with memory
- Energy efficient LED lighting 5000K
- 3100 Lumens
- CRI 90+
- Integrated Defogger

## Construction

- Quality polished edge mirror
- Single phase wire installation
- 5 MM Silver Backed Copper Free
- Installation Either Surface Mount
- (Side Mirror Trim Panels included) or Recessed
- Includes installation hardware

## Codes/Standards Applicable

- Conforms to UL Std. 962
- Cert. to CSA Std. C22.2 No.250.0-08
- ETL Intertek 5004931

## Electrical System

Requirements for each cabinets:

- 120Vac, 60Hz, 53W
- Electric Current: 0.44A
- Wattage: 53W

## Model

- SVANGE 6636DLLR Right & Left Swinging Door
- Included models in this configuration:  
Cabinet 1=2436L Cabinet 2=2436R  
Cabinet 3=1236L



## Electrical System

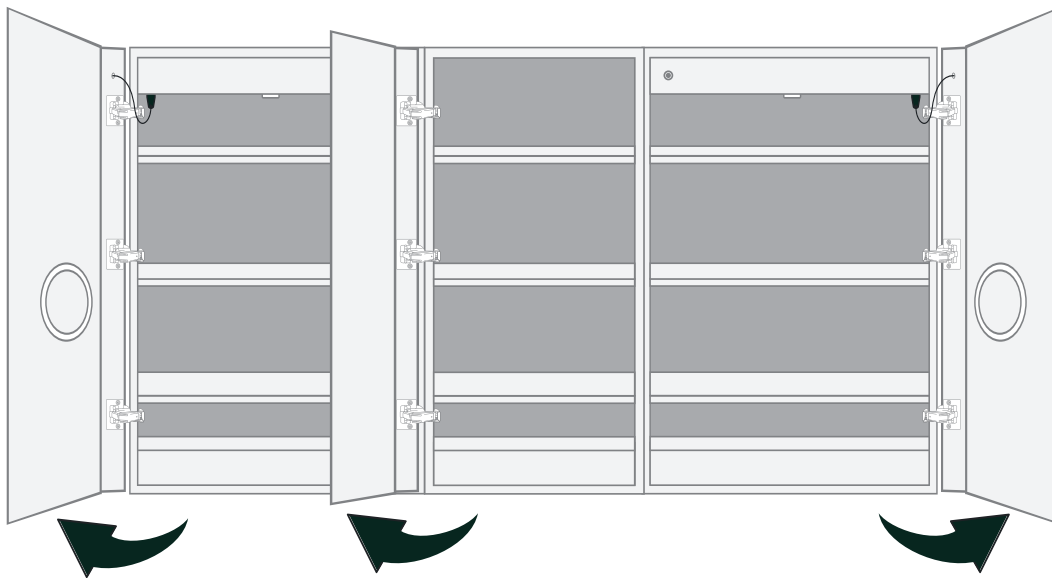
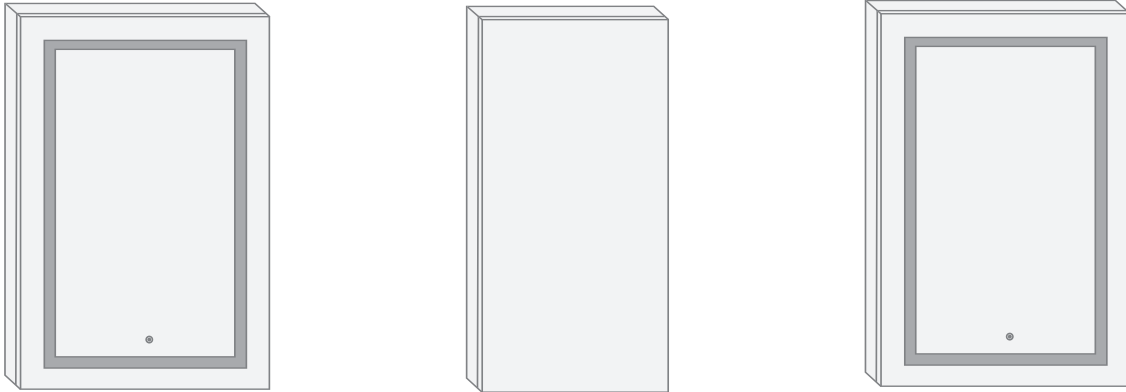
- Performance Requirements: Contains the required
- Supervisory Circuit with the Auto-Monitoring Function as noted by UL 1310
- Input Voltage: Min 112Vac, Nom 125Vac, Max 137Vac
- Frequency: 60Hz
- Front Receptacle Current: 102-132Vac Nominal 15A
- USB Output Current: 5VDC Nominal 4A

## SKU

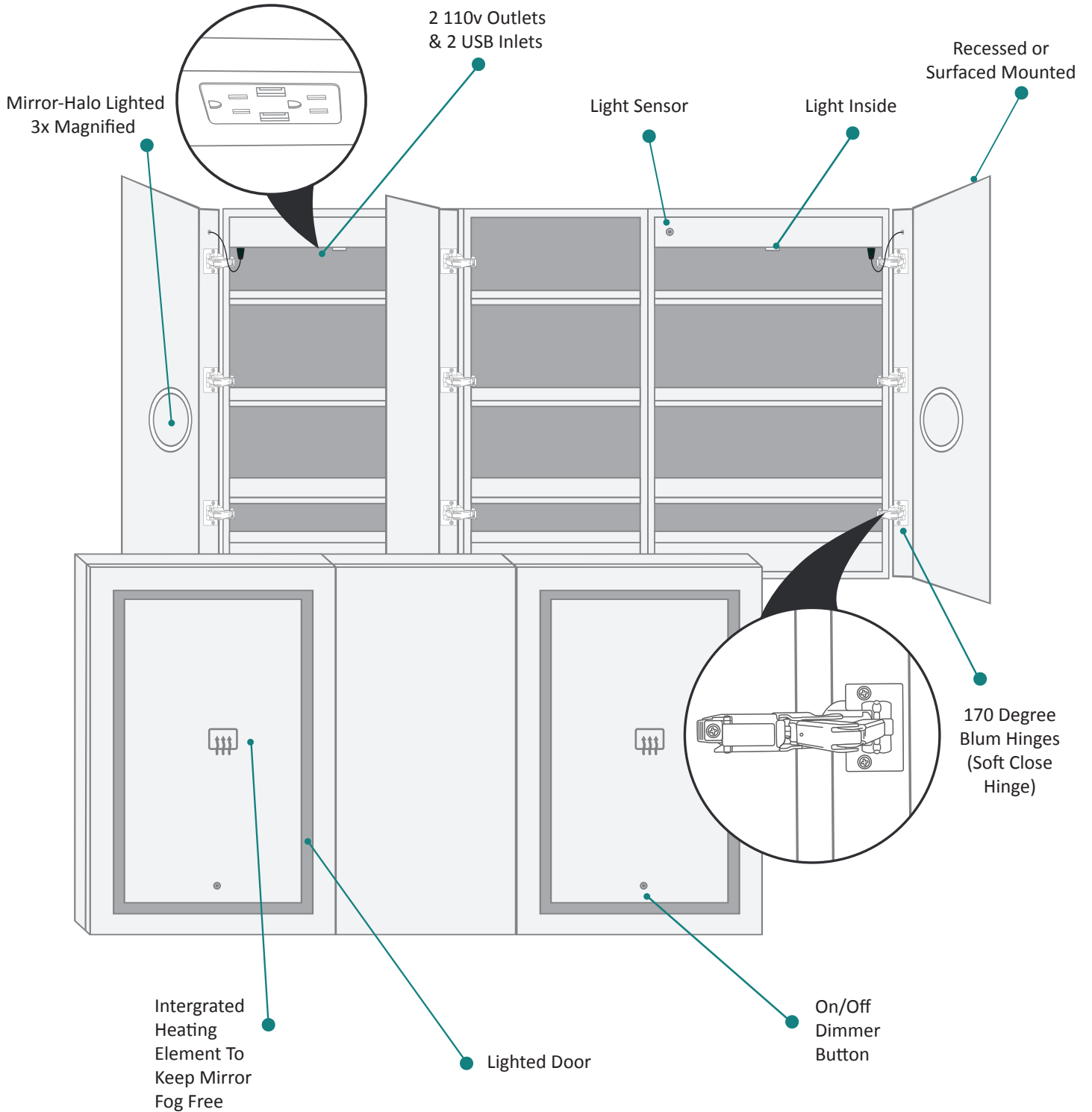
- Name: SVANGE 6636DLLR
- Height: 36"
- Width: 66"
- Weight: 151lbs
- Shipping weight: 156lbs

### CABINET CONFIGURATION

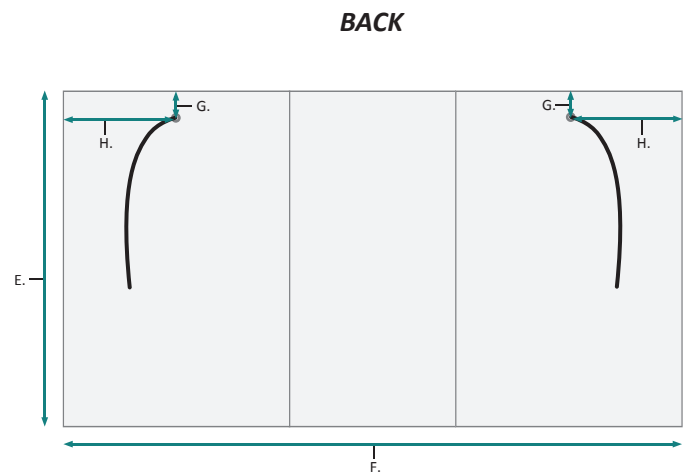
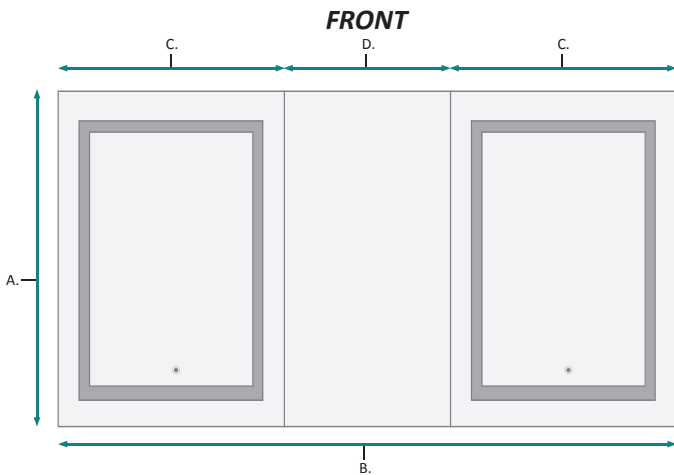
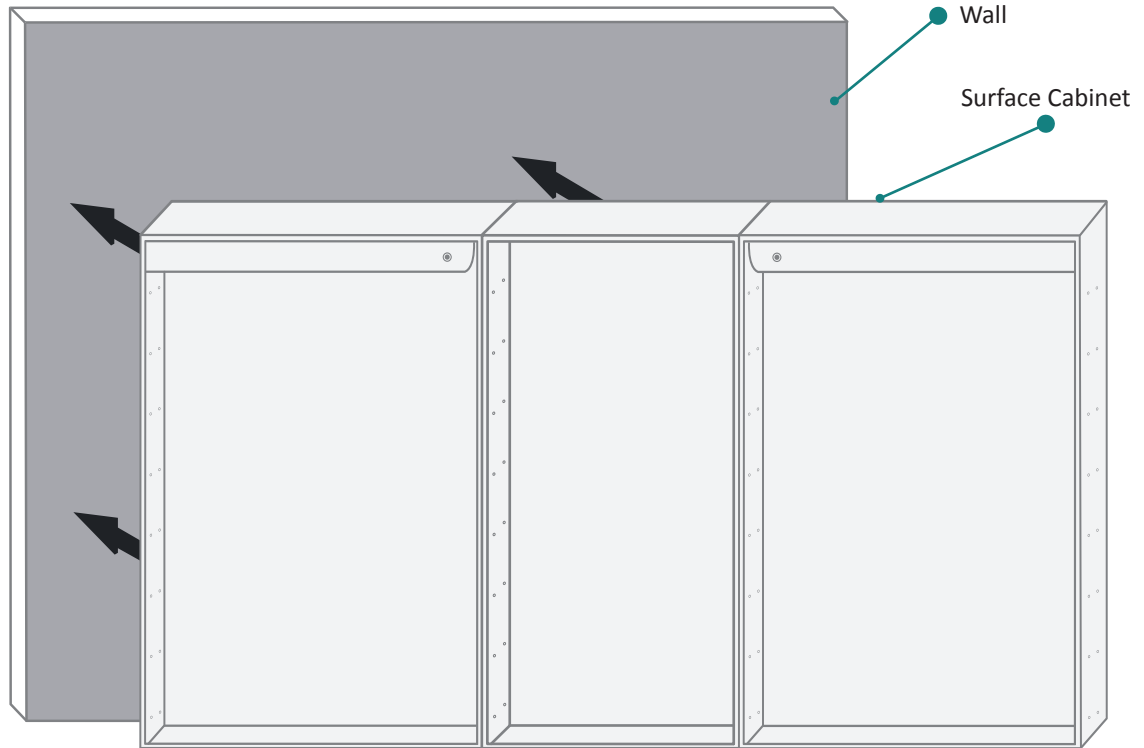
- Included models in this configuration:  
Cabinet 1 = 2436L Cabinet 2=1236L Cabinet 3=2436R



# SVANGE 6636DLLR LED Medicine Cabinet - Specification Sheet



**SURFACE MOUNT**

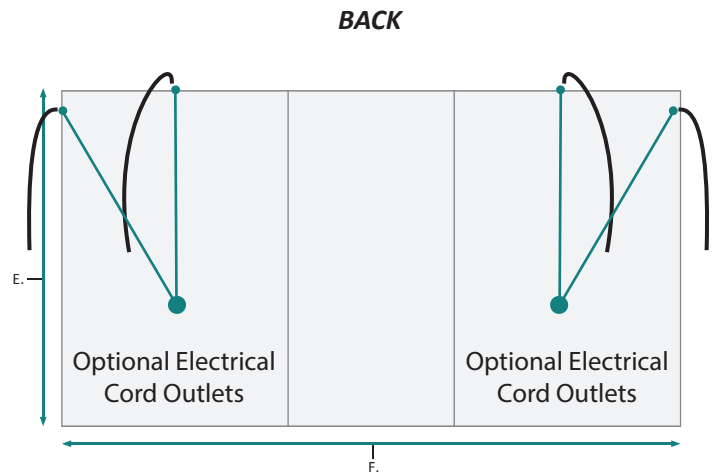
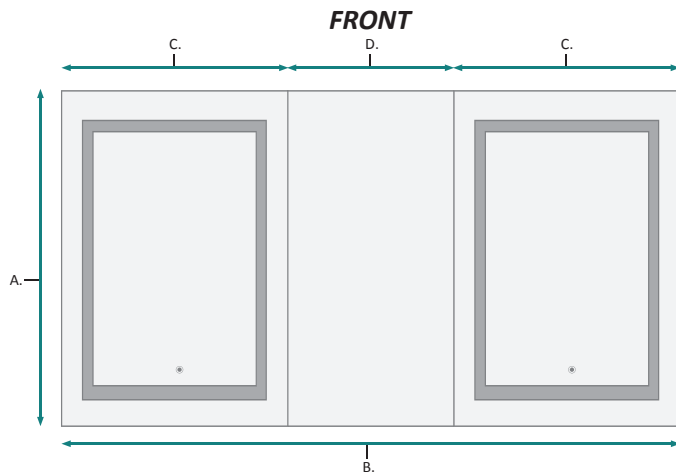
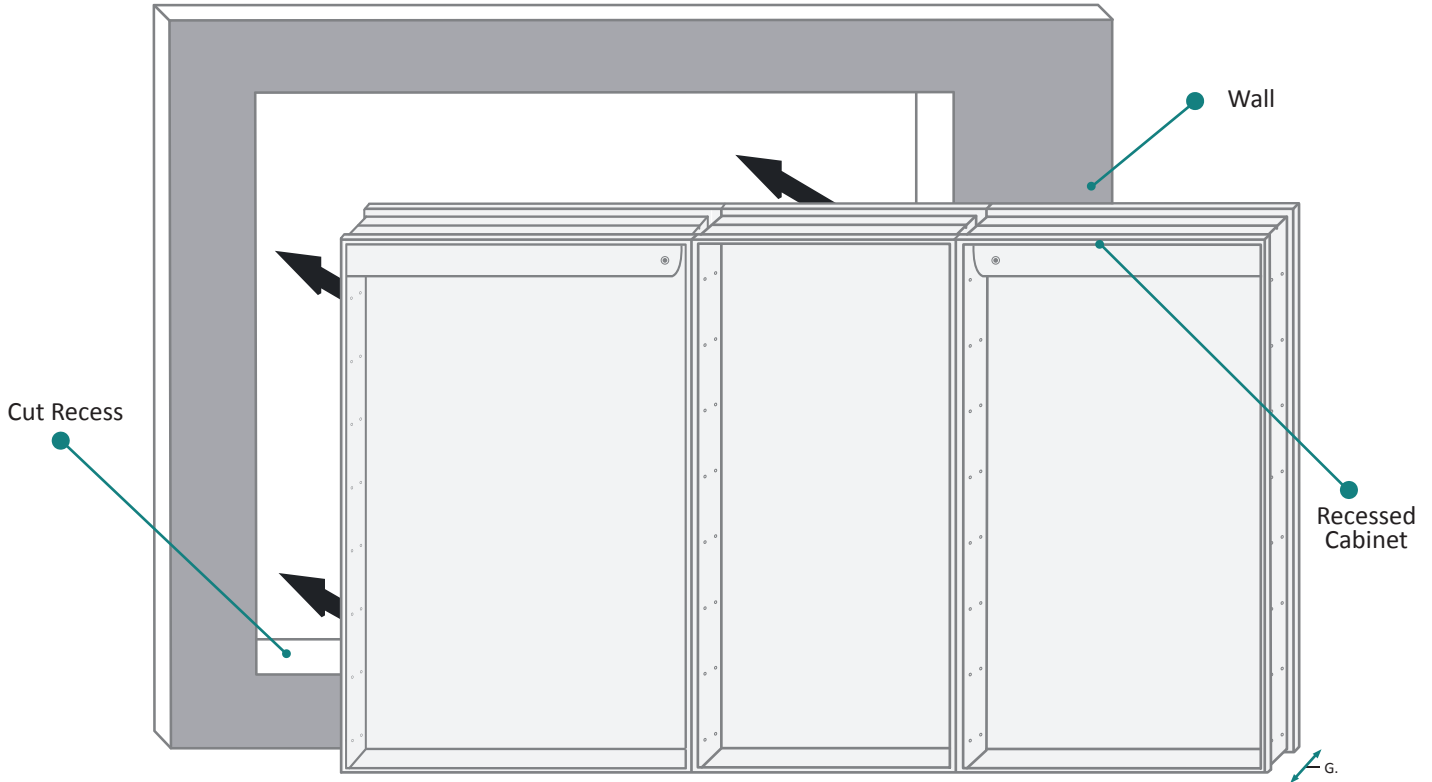


**FRONT & BACKS**

MODEL	A	B	C	D	E	F	G	H
SVANGE6636DLLR	36	66	24	18	36	66	1-1/8	11-1/4

These measurements are for reference, for best results we suggest you measure actual product as small variations in size are possible

**RECESSED MOUNT**

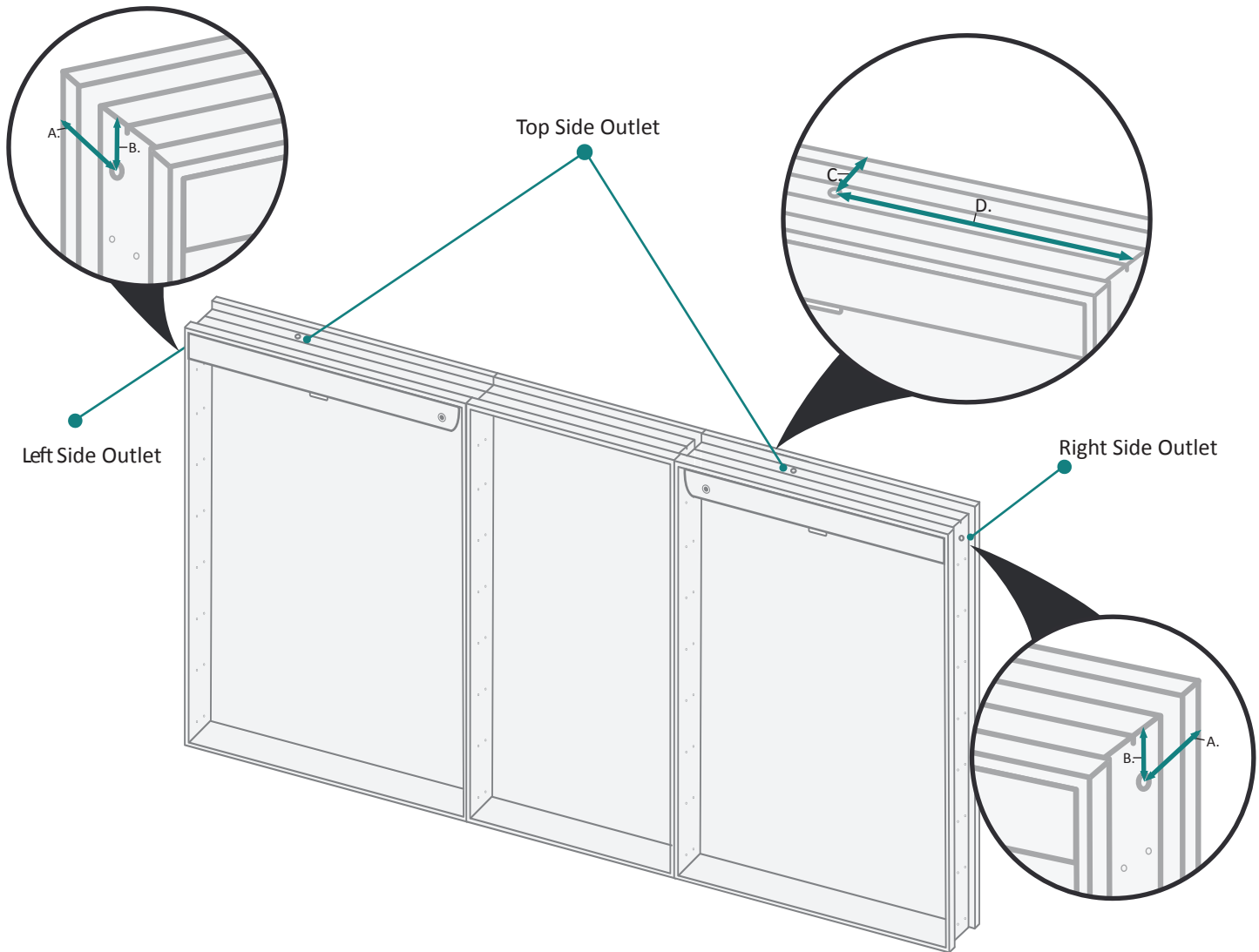


**FRONT & BACKS**

MODEL	A	B	C	D	E	F	G
SVANGE6636DLLR	36	66	24	18	35-1/8	65-1/8	3-7/8

These measurements are for reference, for best results we suggest you measure actual product as small variations in size are possible

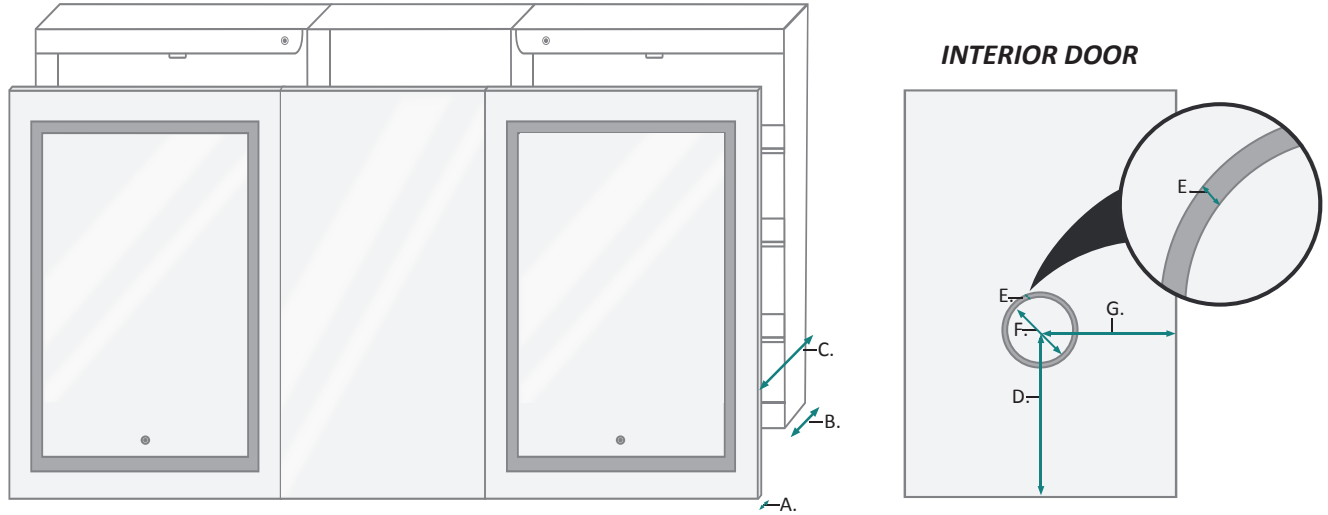
**RECESS INSTALLATION OPTIONAL ELECTRICAL CORD LOCATIONS**



**ELECTRICAL CORD LOCATIONS**

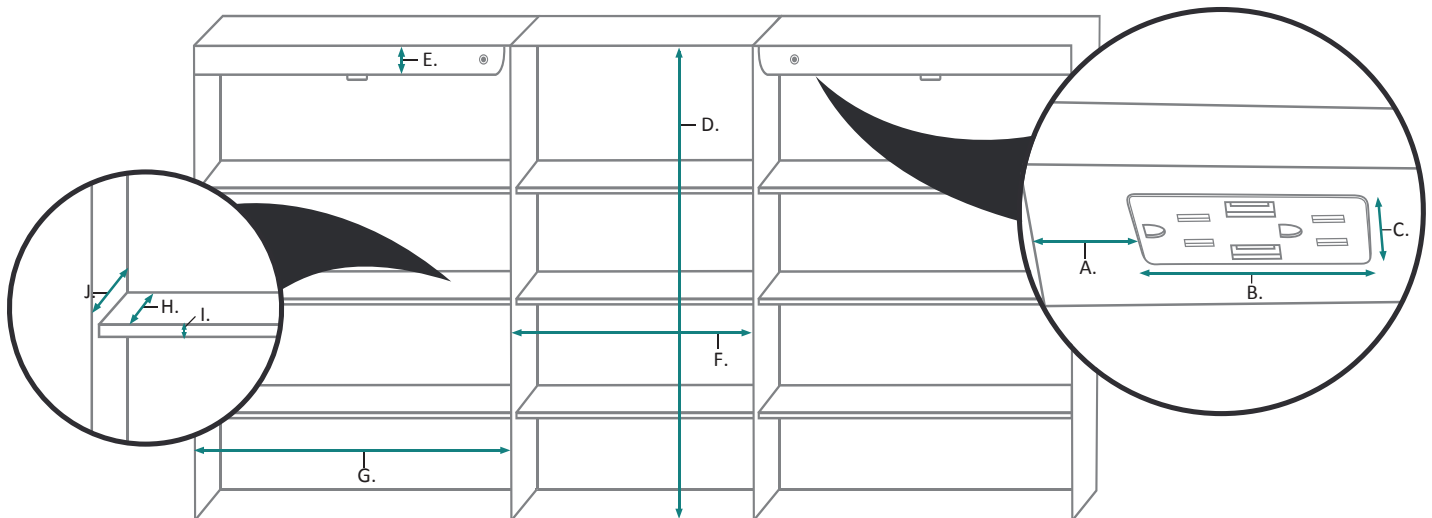
MODEL	A	B	C	D
SVANGE6636DLLR	1-1/2	1-1/8	1-3/8	11-1/4

These measurements are for reference, for best results we suggest you measure actual product as small variations in size are possible



**DOOR & CABINET**

MODEL	A	B	C	D	E	F	G
SVANGE6636DLLR	7/8	3-7/8	4-3/4	18	3/8	5-1/4	11-1/4



**INTERIOR CABINET**

MODEL	A	B	C	D	E	F	G	H	I	J
SVANGE6636DLLR	3-3/4	5-5/8	1-1/4	34-1/2	2-1/4	16-1/2	22-1/2	2-3/8	3/8	3-5/8

These measurements are for reference, for best results we suggest you measure actual product as small variations in size are possible