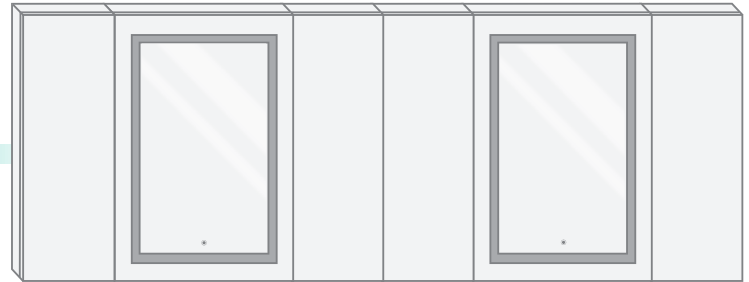


Features

- Dimmable LED task lighting
- Integrated touch sensor control with memory
- Energy efficient LED lighting 5000K
- 3100 Lumens
- CRI 90+
- Integrated Defogger

Construction

- Quality polished edge mirror
- Single phase wire installation
- 5 MM Silver Backed Copper Free
- Installation Either Surface Mount
- (Side Mirror Trim Panels included) or Recessed
- Includes installation hardware



Codes/Standards Applicable

- Conforms to UL Std. 962
- Cert. to CSA Std. C22.2 No.250.0-08
- ETL Intertek 5004931

Electrical System

Requirements for each cabinets:

- 120Vac, 60Hz, 53W
- Electric Current: 0.44A
- Wattage: 53W

Model

- SVANGE 9636DLLLLRRR Swinging Door
- Included models in this configuration:
Cabinet 1=1236L Cabinet 2=2436L
Cabinet 3=1236R Cabinet 4=1236R
Cabinet 5=2436R Cabinet 6=1236R

Electrical System

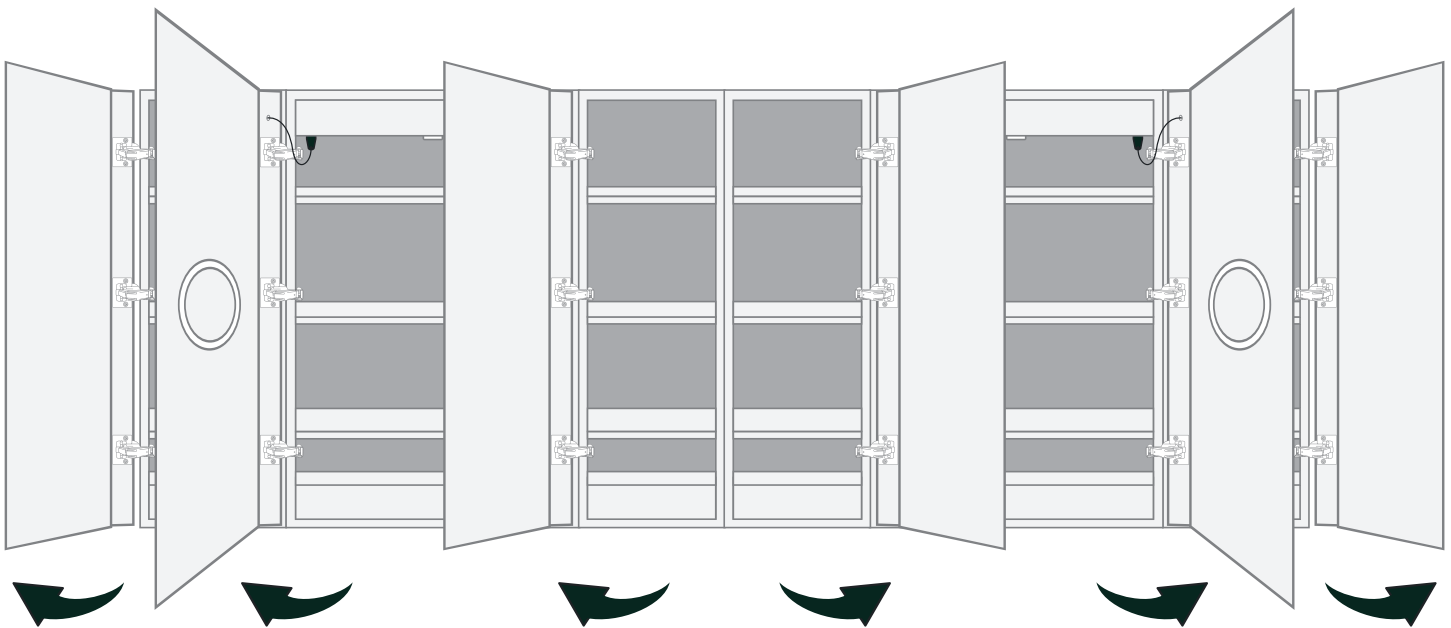
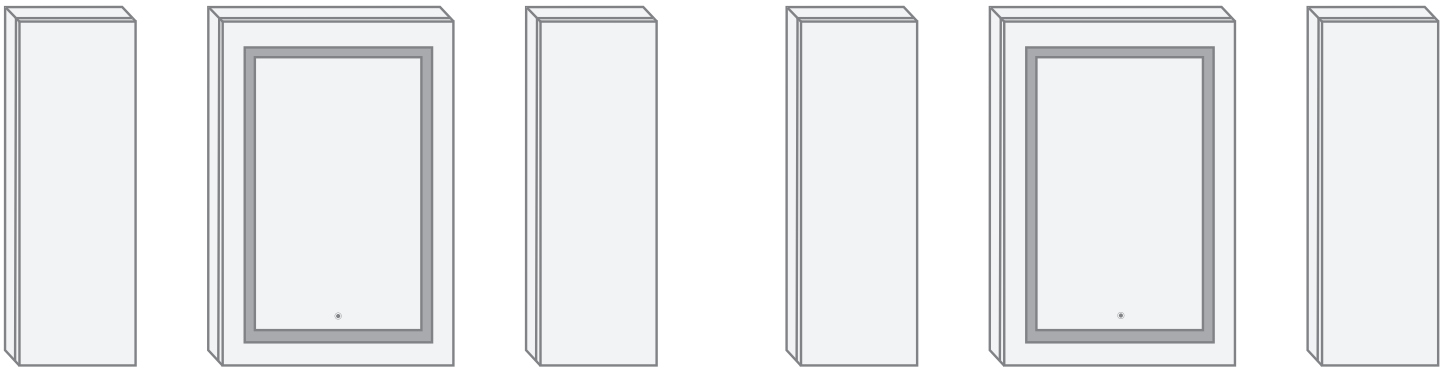
- Performance Requirements: Contains the required
- Supervisory Circuit with the Auto-Monitoring Function as noted by UL 1310
- Input Voltage: Min 112Vac, Nom 125Vac, Max 137Vac
- Frequency:60Hz
- Front Receptacle Current: 102-132Vac Nominal 15A
- USB Output Current:5VDC Nominal 4A

SKU

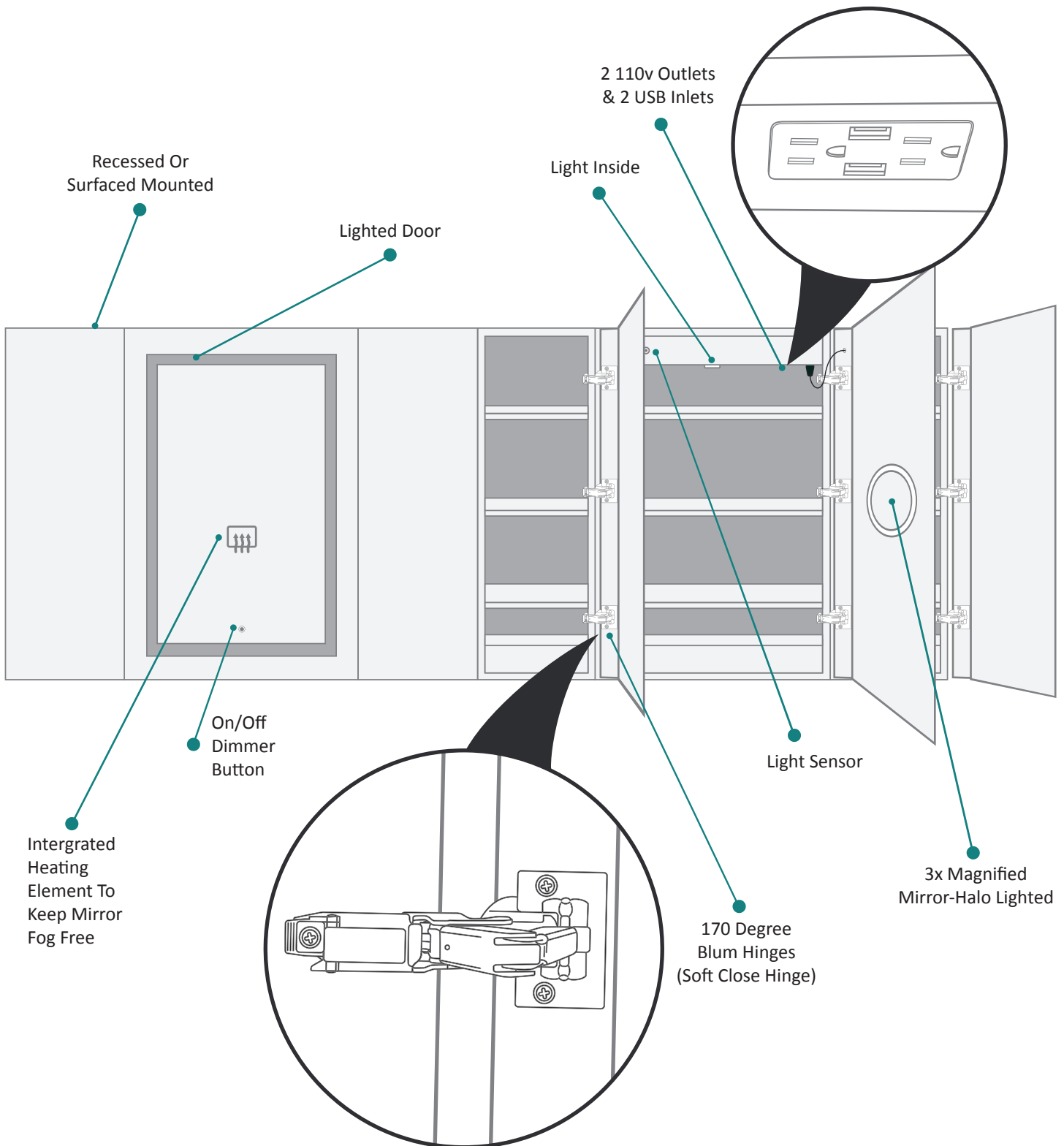
- Name: SVANGE 9636DLLLLRRR
- Height: 36"
- Width: 96"
- Weight: 188lbs
- Shipping weight: 193lbs

CABINET CONFIGURATION

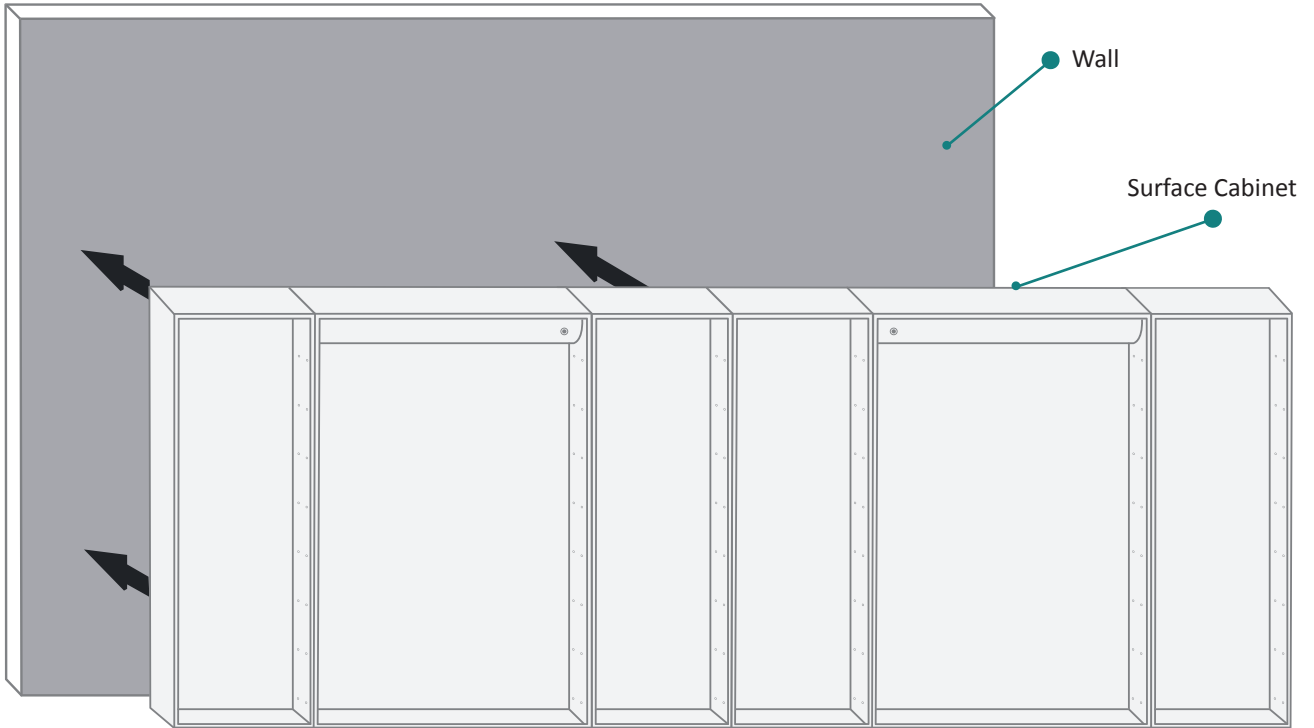
- Included models in this configuration:
Cabinet 1 = 1236L Cabinet 2 = 2436L
Cabinet 3 = 1236L Cabinet 4 = 1236R
Cabinet 5 = 2436R Cabinet 6 = 1236R



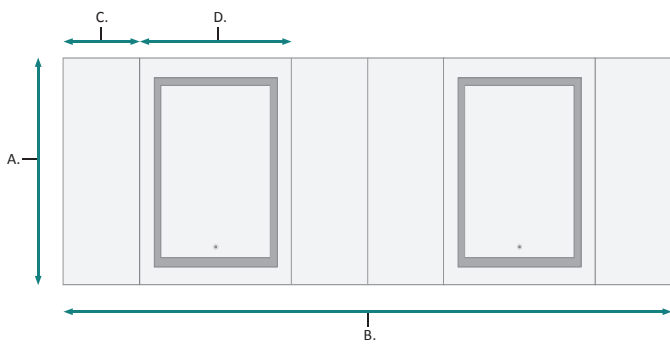
SVANGE 9636DLLRRR LED Medicine Cabinet - Specification Sheet



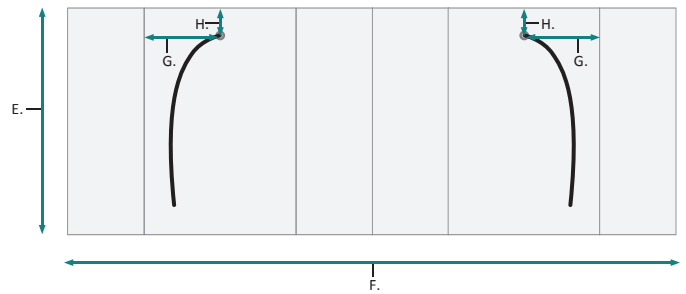
SURFACE MOUNT



FRONT



BACK

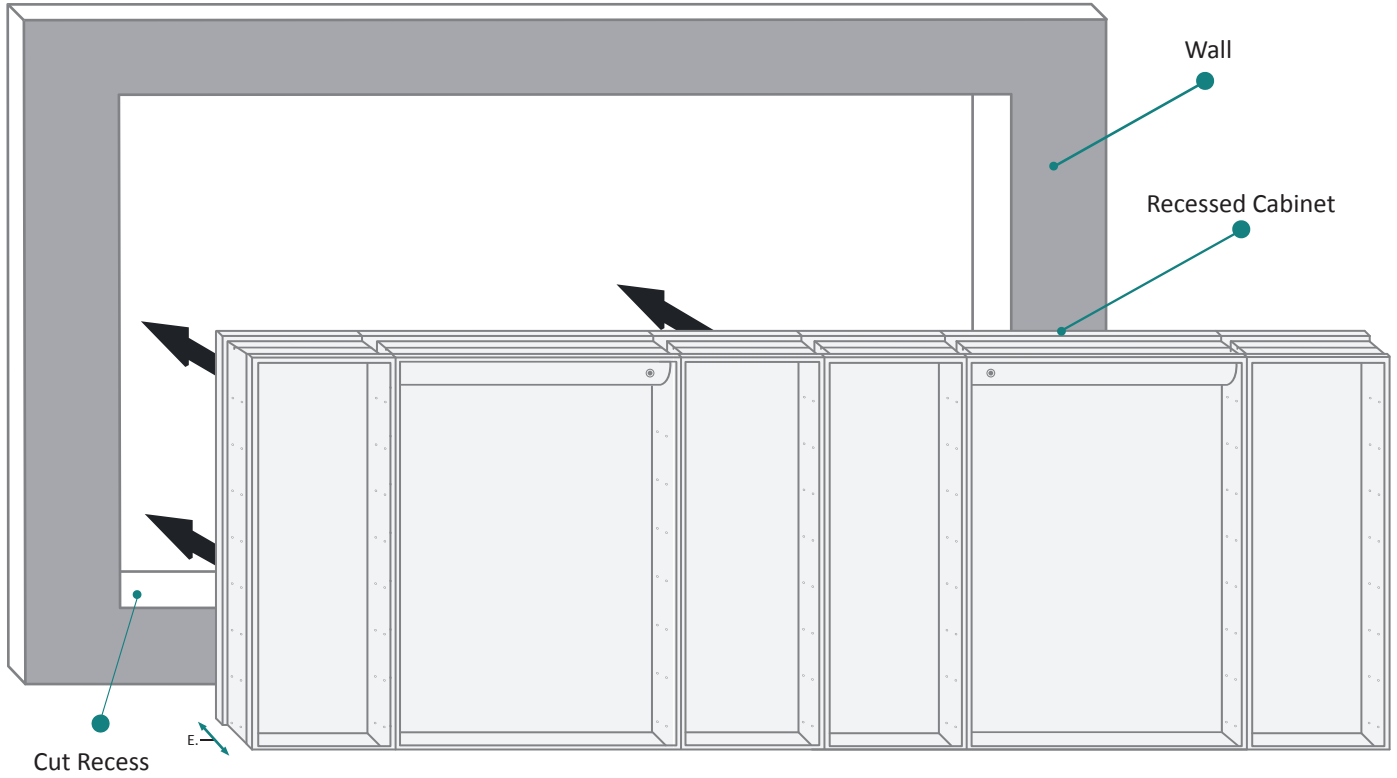


FRONT & BACKS

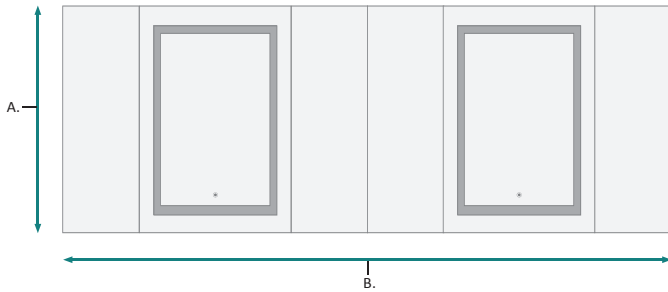
MODEL	A	B	C	D	E	F	G	H
SVANGE 9636DLLLLRRR	36	96	12	24	36	96	11-1/4	1-1/8

These measurements are for reference, for best results we suggest you measure actual product as small variations in size are possible

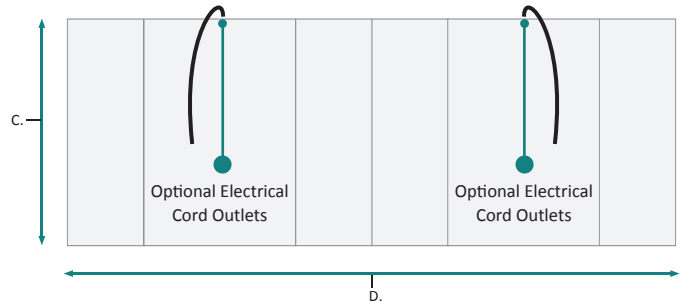
RECESSED MOUNT



FRONT



BACK

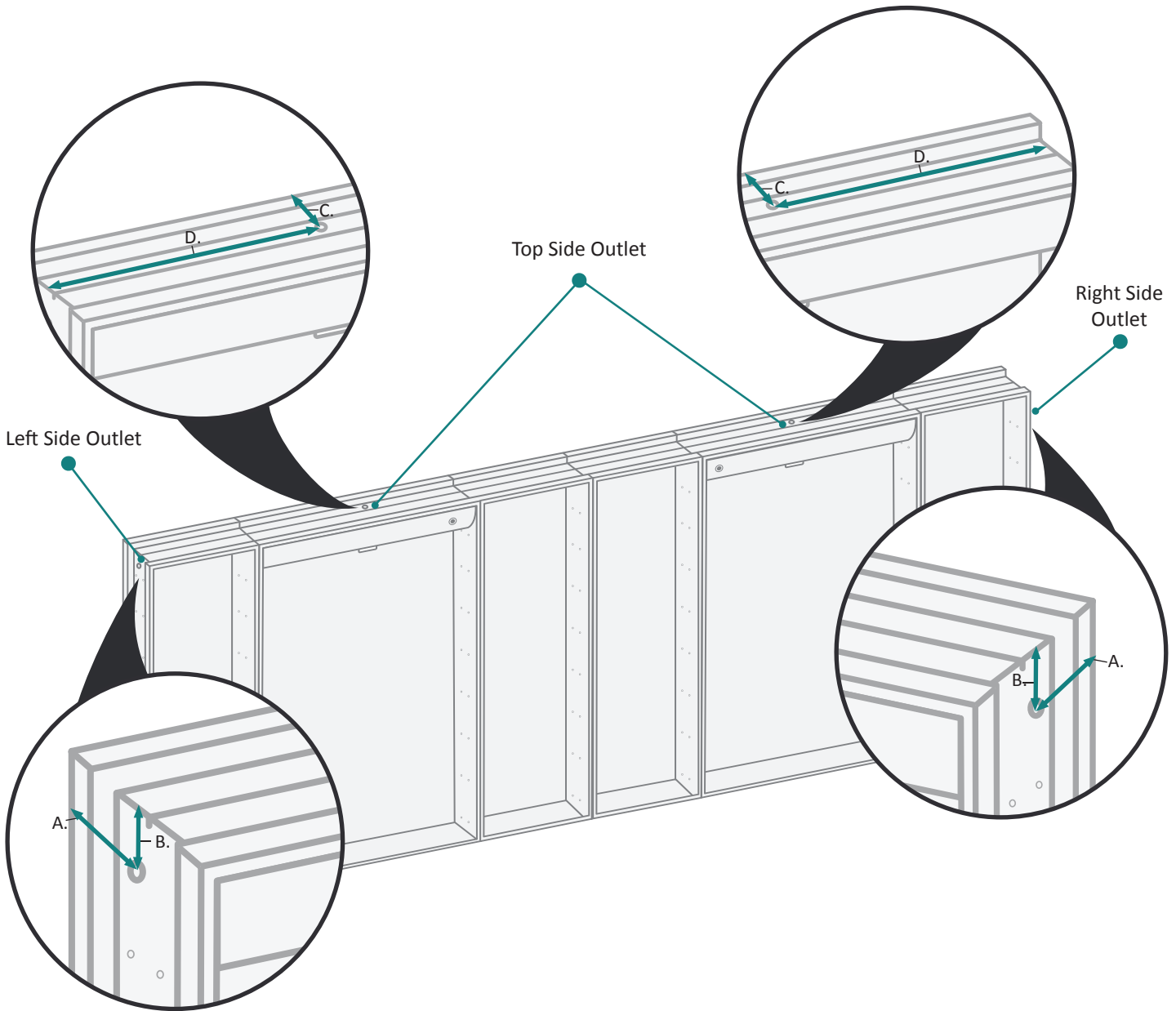


FRONT & BACKS

MODEL	A	B	C	D	E
SVANGE 9636DLLRRR	36	96	35-1/8	95-1/8	3-7/8

These measurements are for reference, for best results we suggest you measure actual product as small variations in size are possible

RECESS INSTALLATION OPTIONAL ELECTRICAL CORD LOCATIONS

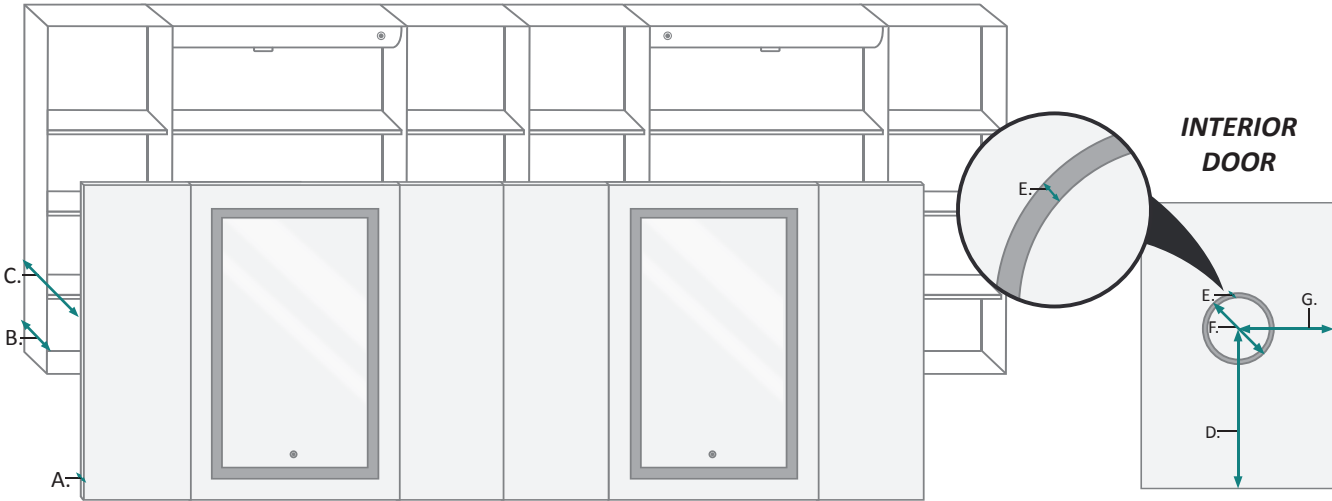


ELECTRICAL CORD LOCATIONS

MODEL	A	B	C	D
SVANGE 9636DLLRRR	1-1/2	1-1/8	1-3/8	11-1/4

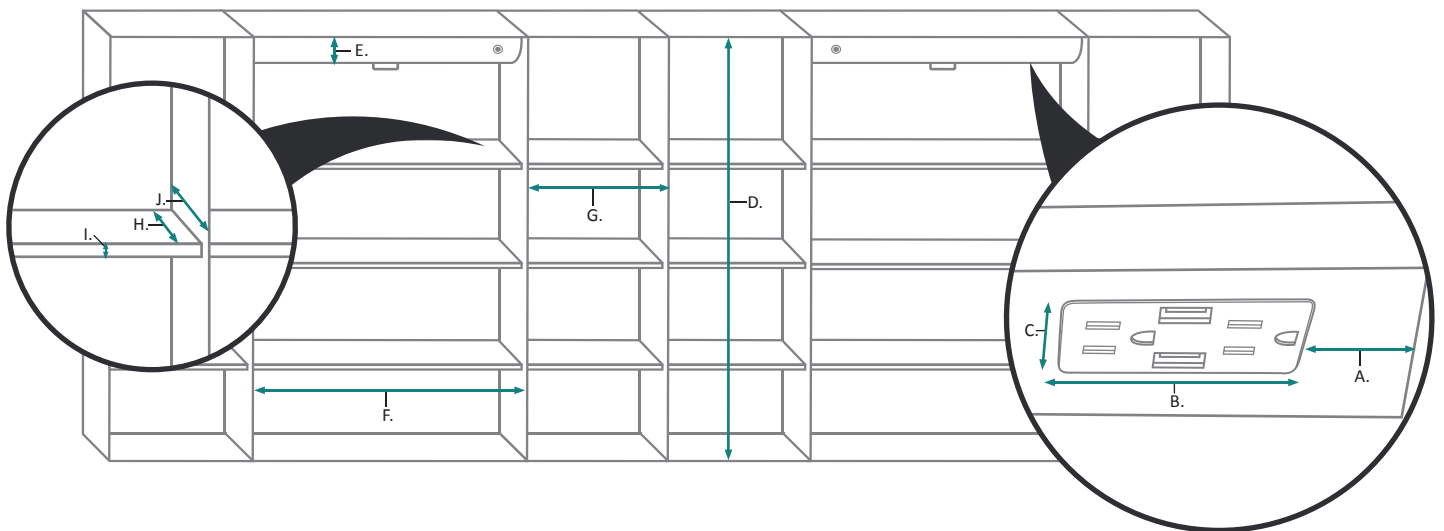
These measurements are for reference, for best results we suggest you measure actual product as small variations in size are possible

SVANGE 9636DLLRRR LED Medicine Cabinet - Specification Sheet



DOOR & CABINET

MODEL	A	B	C	D	E	F	G
SVANGE 9636DLLRRR	7/8	3-7/8	4-3/4	18	3/8	5-1/4	11-1/4



INTERIOR CABINET

MODEL	A	B	C	D	E	F	G	H	I	J
SVANGE 9636DLLRRR	3-3/4	5-5/8	1-1/4	32-1/4	2-1/4	22-1/2	10-1/2	2-3/8	3/8	3-5/8

These measurements are for reference, for best results we suggest you measure actual product as small variations in size are possible