

Features

- Dimmable LED task lighting
- Integrated touch sensor control with memory
- Energy efficient LED lighting 5000K
- 3100 Lumens
- CRI 90+
- Integrated Defogger

Construction

- Quality polished edge mirror
- Single phase wire installation
- 5 MM Silver Backed Copper Free
- Installation Either Surface Mount
- (Side Mirror Trim Panels included) or Recessed
- Includes installation hardware



Codes/Standards Applicable

- Conforms to UL Std. 962
- Cert. to CSA Std. C22.2 No.250.0-08
- ETL Intertek 5004931

Electrical System

Requirements for each cabinets:

- 120Vac, 60Hz, 53W
- Electric Current: 0.44A
- Wattage: 53W

Model

- SVANGE 10236DLLRRR Swinging Door
- Included models in this configuration:
Cabinet 1=1836L Cabinet 2=2436L
Cabinet 3=1836R Cabinet 4=2436R
Cabinet 5=1836

Electrical System

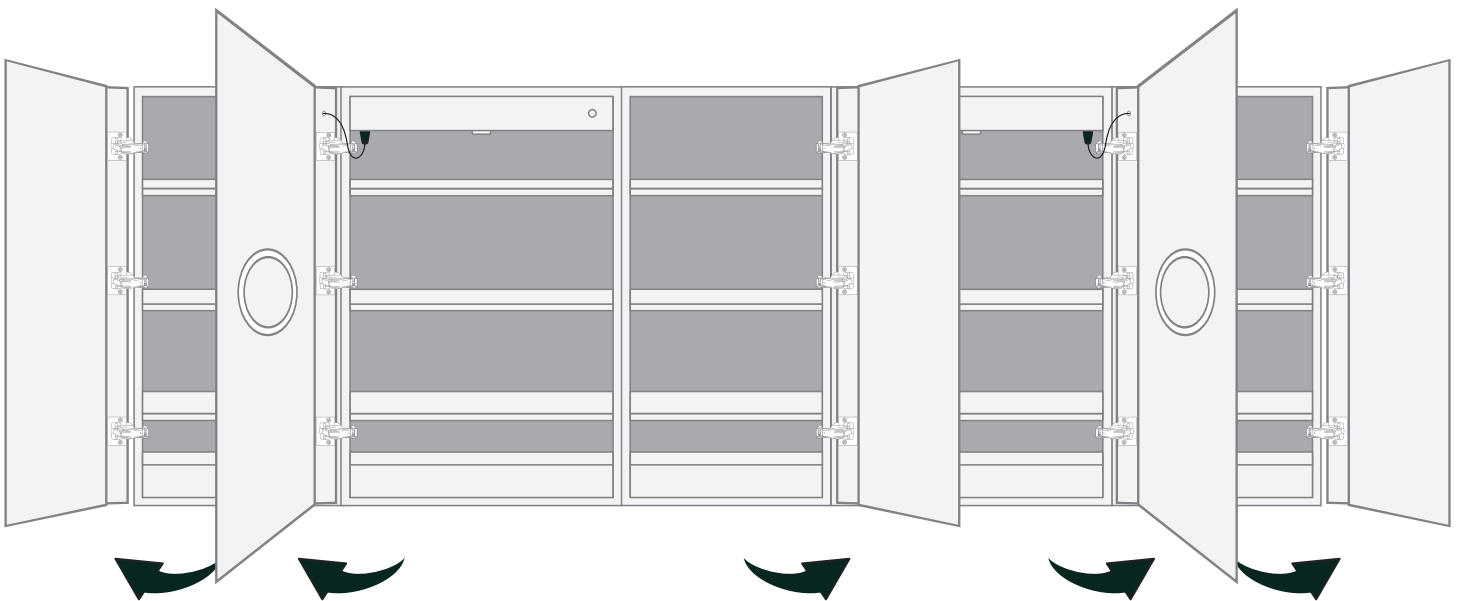
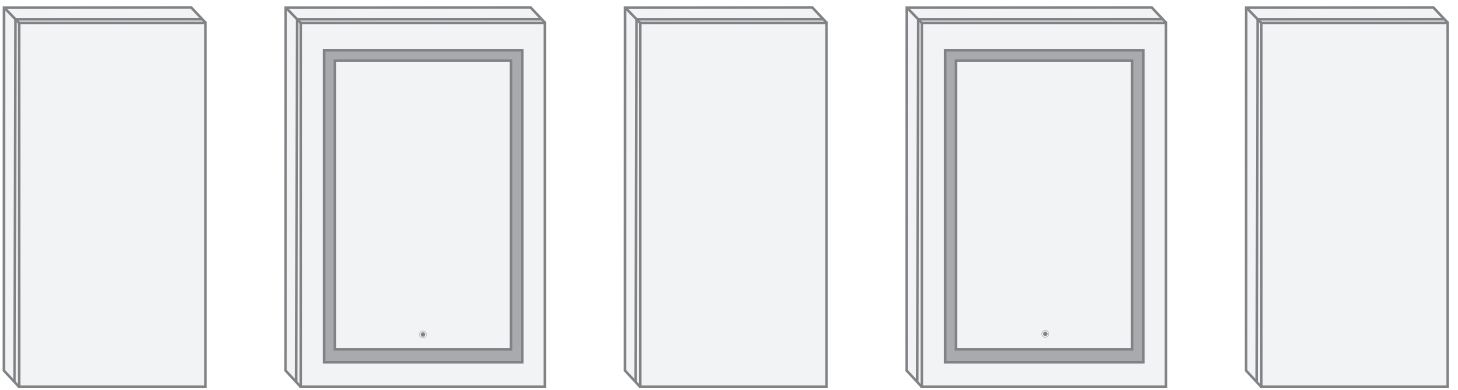
- Performance Requirments: Contains the required
- Supervisory Circiut with the Auto-Monitoring Function as noted by UL 1310
- Input Voltage: Min 112Vac, Nom 125Vac, Max 137Vac
- Frequency:60Hz
- Front Receptacle Current: 102-132Vac Nominal 15A
- USB Output Current:5VDC Nominal 4A

SKU

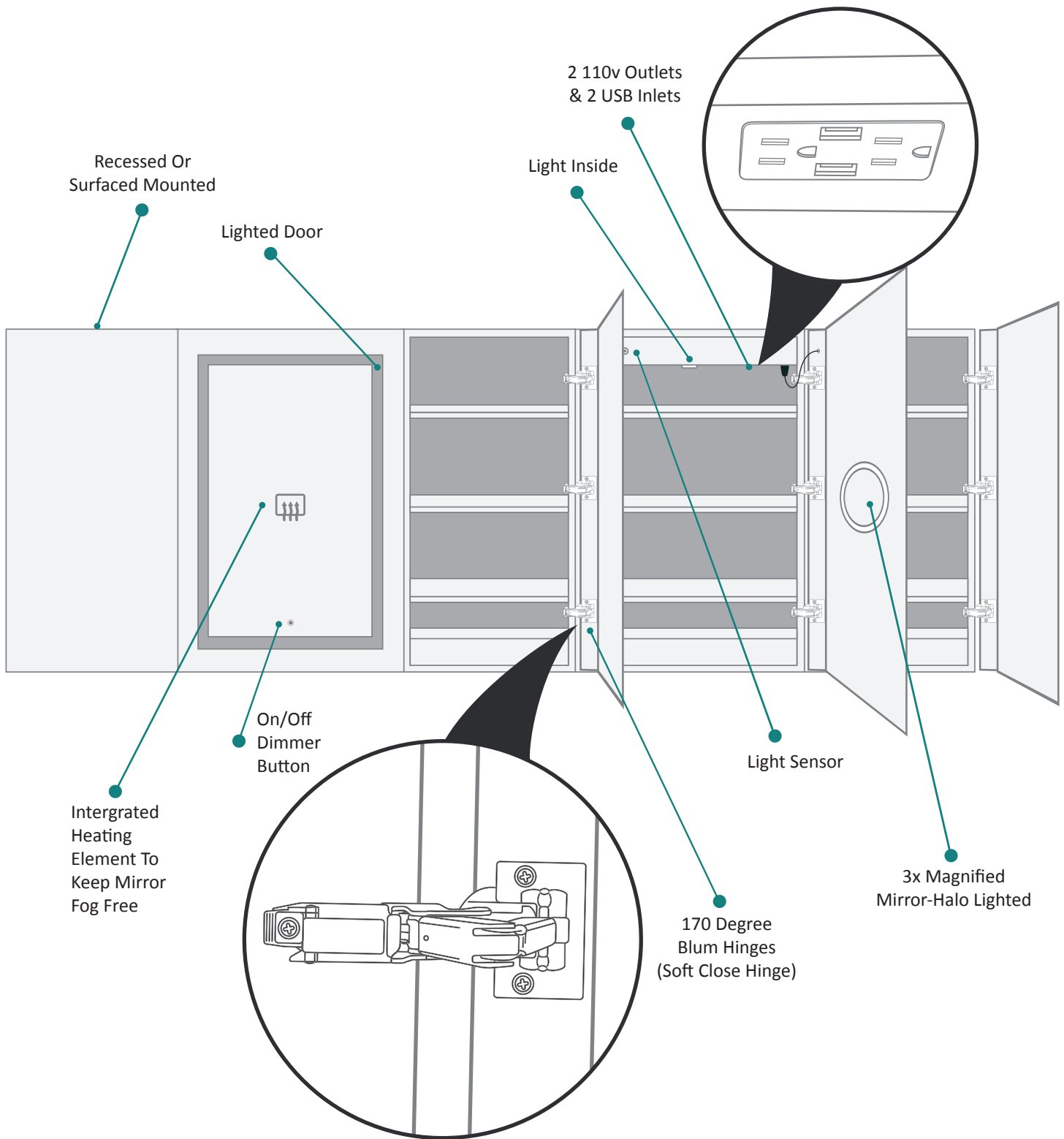
- Name: SVANGE 10236DLLRRR
- Height: 36"
- Width: 102"
- Weight: 243lbs
- Shipping weight: 248lbs

CABINET CONFIGURATION

- Included models in this configuration:
Cabinet 1 = 1836L Cabinet 2 = 2436L
Cabinet 3 = 1836R Cabinet 4 = 2436R
Cabinet 5 = 1836R

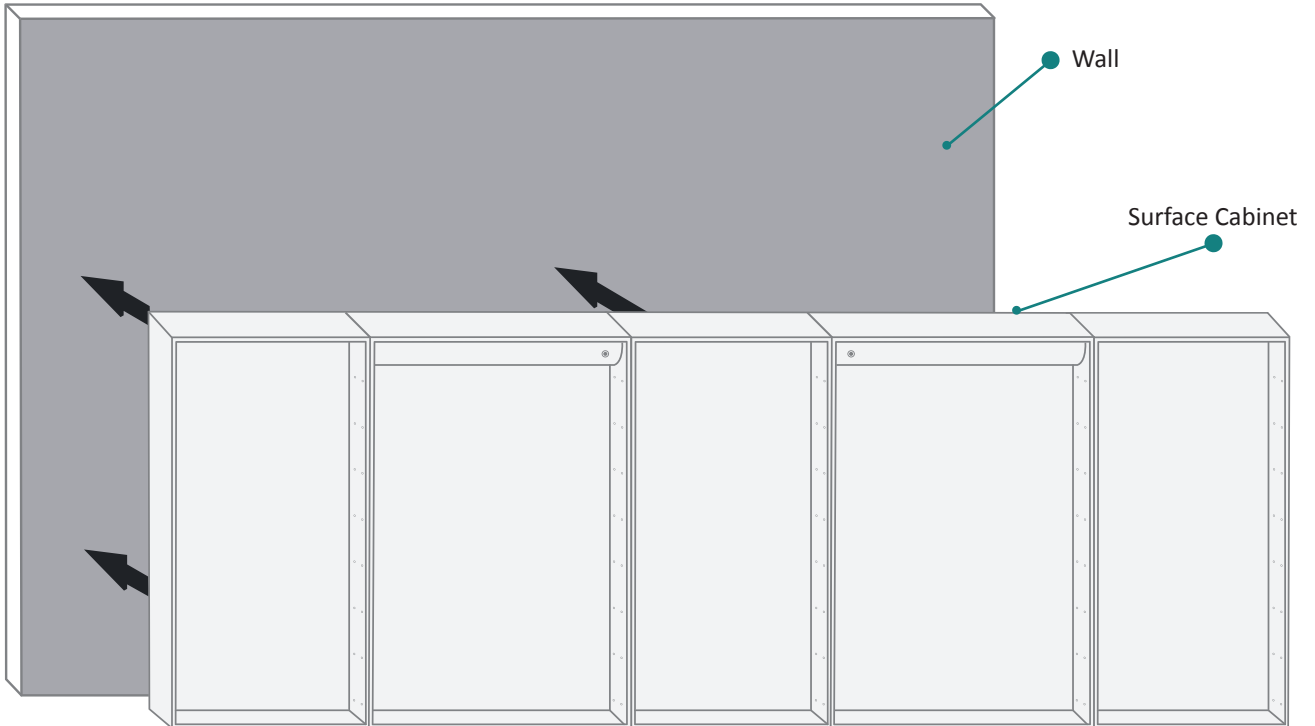


SVANGE 10236DLLRRR Wall Mirror - Specification Sheet

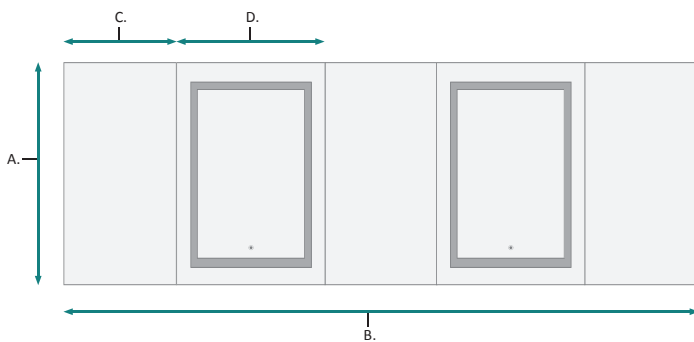


SVANGE 10236DLLRRR Wall Mirror - Specification Sheet

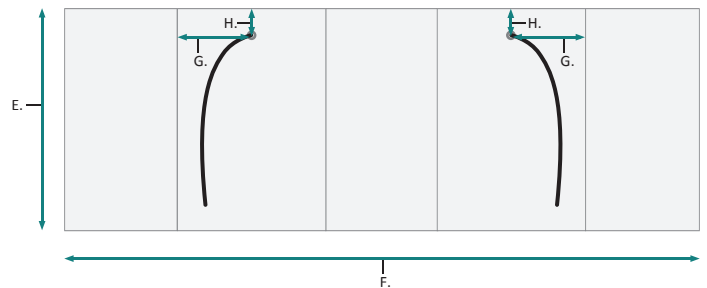
SURFACE MOUNT



FRONT



BACK



FRONT & BACKS

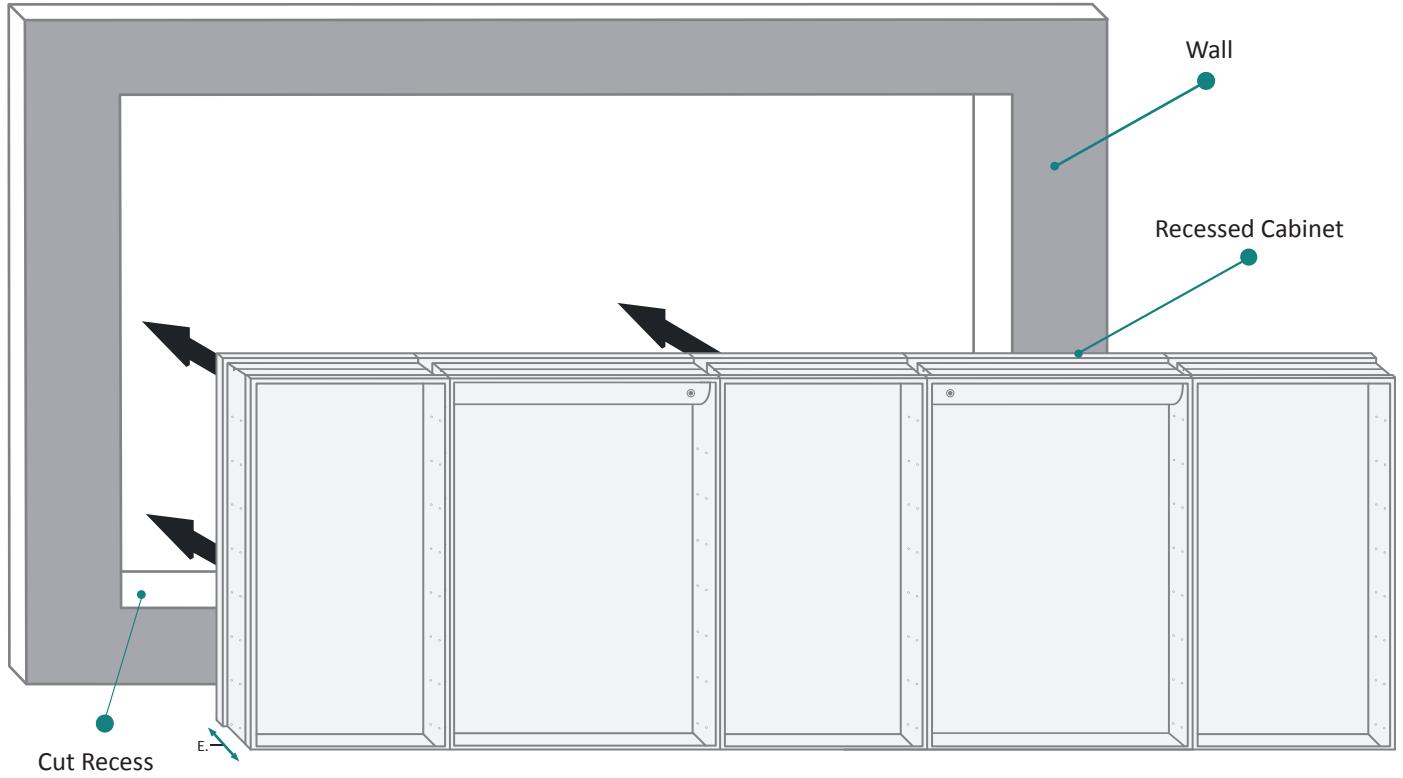
MODEL	A	B	C	D	E	F	G	H
SVANGE 10236DLLRRR	36	102	18	24	36	102	11-1/4	1-1/8

These measurements are for reference, for best results we suggest you measure actual product as small variations in size are possible

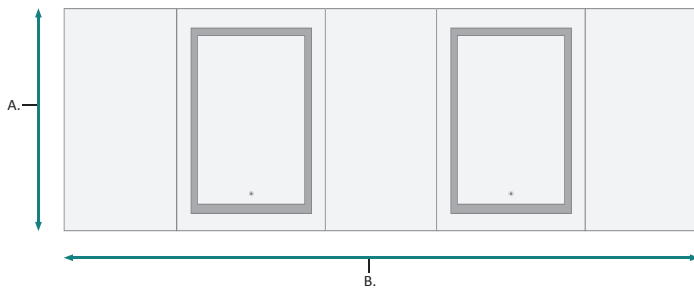
SVANGE 10236DLLRRR Wall Mirror - Specification Sheet



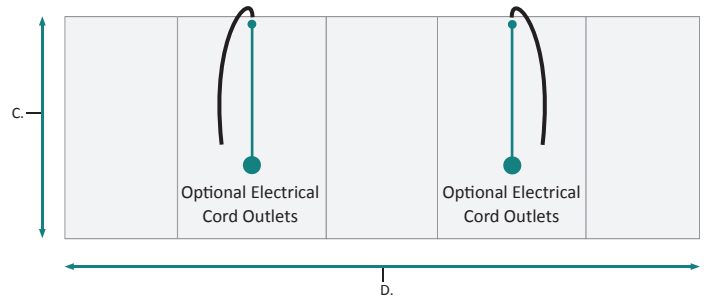
RECESSED MOUNT



FRONT



BACK

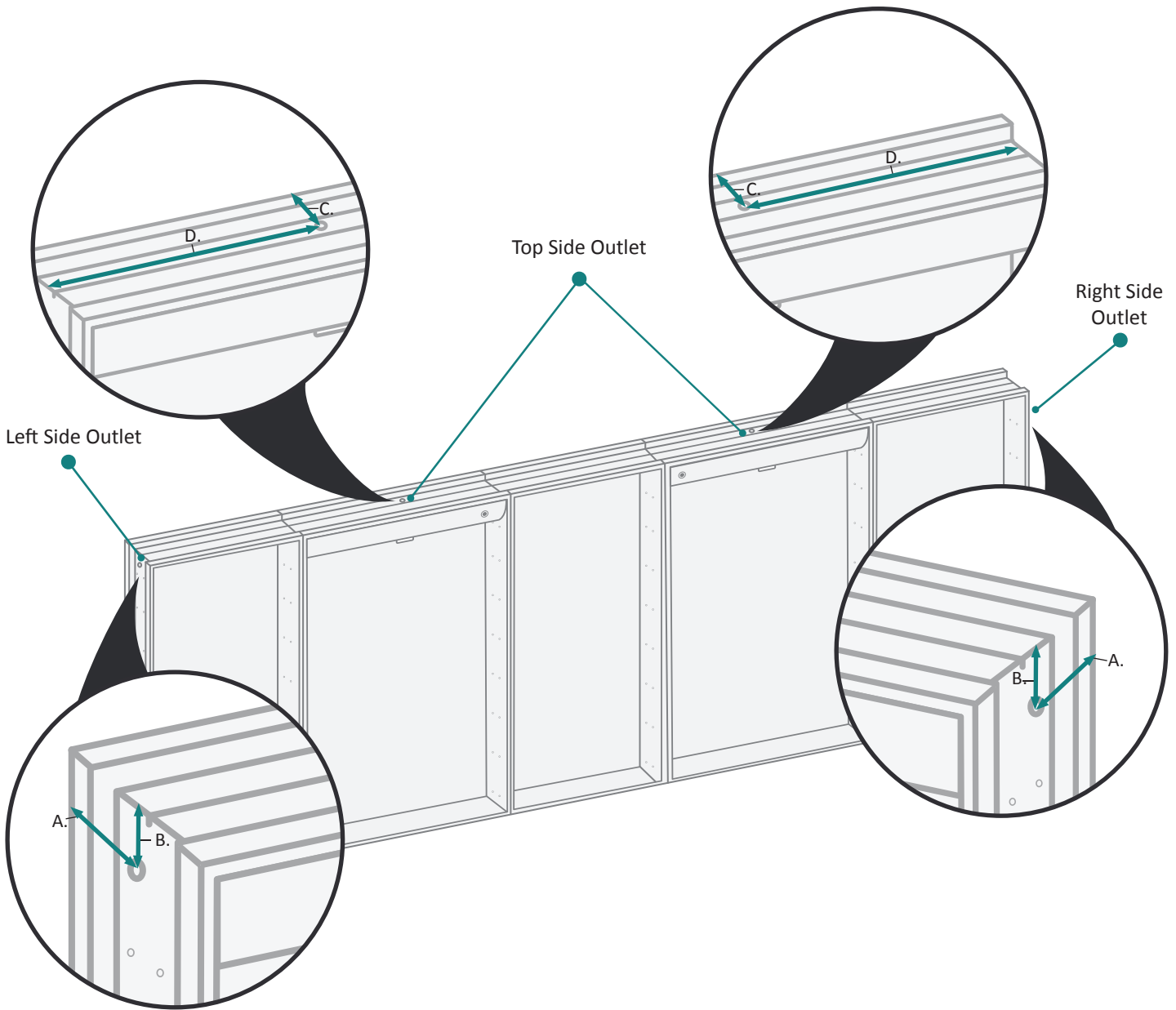


FRONT & BACKS

MODEL	A	B	C	D	E
SVANGE 10236DLLRRR	36	102	35-1/2	101-1/8	3-7/8

These measurements are for reference, for best results we suggest you measure actual product as small variations in size are possible

RECESS INSTALLATION OPTIONAL ELECTRICAL CORD LOCATIONS

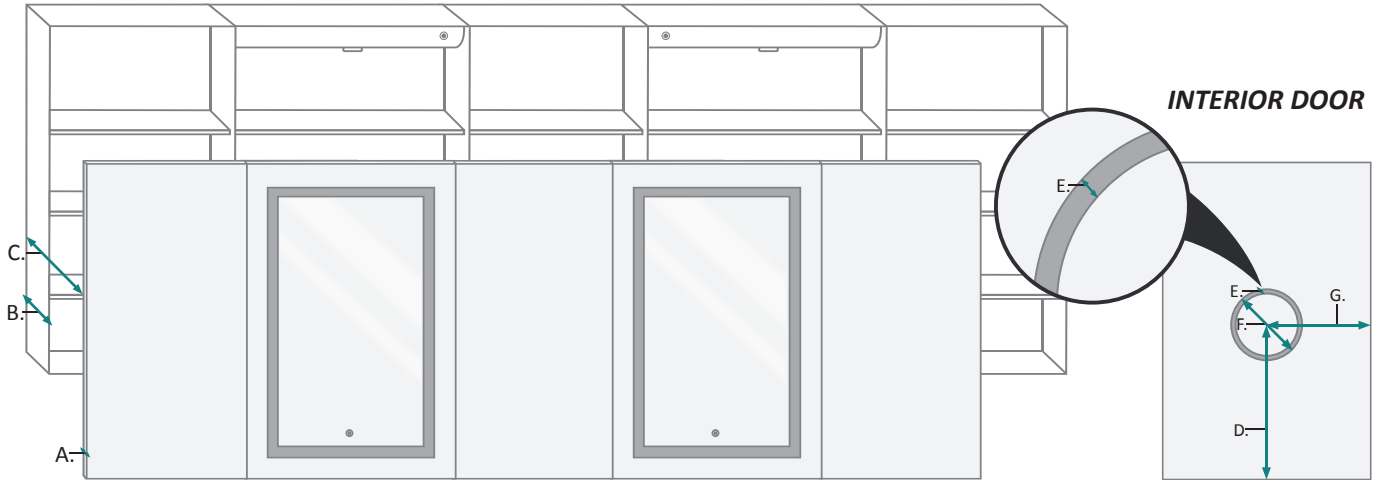


ELECTRICAL CORD LOCATIONS

MODEL	A	B	C	D
SVANGE 10236DLLRRR	1-1/2	1-1/8	1-3/8	11-1/4

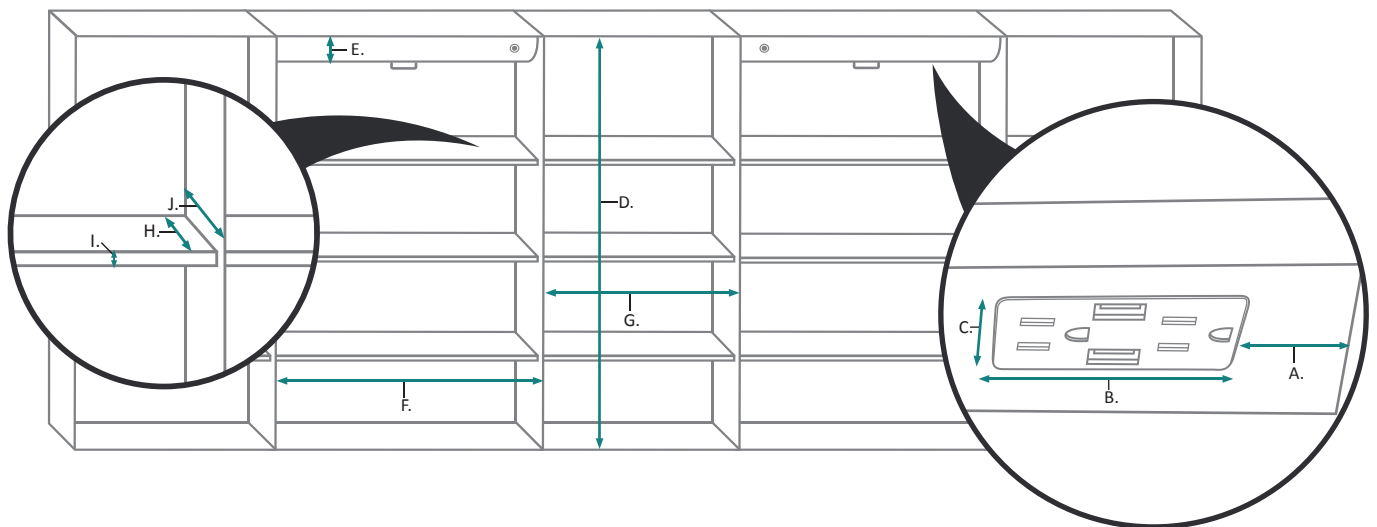
These measurements are for reference, for best results we suggest you measure actual product as small variations in size are possible

SVANGE 10236DLLRRR Wall Mirror - Specification Sheet



DOOR & CABINET

MODEL	A	B	C	D	E	F	G
SVANGE 10236DLLRRR	7/8	3-7/8	4-3/4	18	3/8	5-1/4	11-1/4



INTERIOR CABINET

MODEL	A	B	C	D	E	F	G	H	I	J
SVANGE 10236DLLRRR	3-3/4	5-5/8	1-1/4	32-1/4	2-1/4	22-1/2	16-1/2	2-3/8	3/8	3-5/8

These measurements are for reference, for best results we suggest you measure actual product as small variations in size are possible