

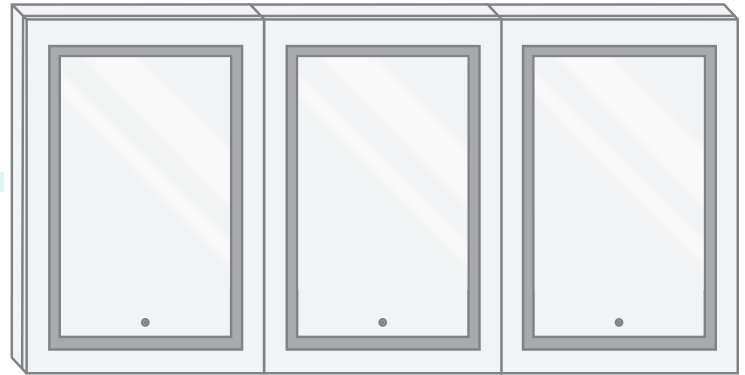
# SVANGE 7236TLRR LED Medicine Cabinet - Specification Sheet

## Features

- Dimmable LED task lighting
- Integrated touch sensor control with memory
- Energy efficient LED lighting 5000K
- 3100 Lumens
- CRI 90+
- Integrated Defogger

## Construction

- Quality polished edge mirror
- Single phase wire installation
- 5 MM Silver Backed Copper Free
- Installation Either Surface Mount
- (Side Mirror Trim Panels included) or Recessed
- Includes installation hardware



## Codes/Standards Applicable

- Conforms to UL Std. 962
- Cert. to CSA Std. C22.2 No.250.0-08
- ETL Intertek 5004931

## Electrical System

### Requirements for each cabinets:

- 120Vac, 60Hz, 53W
- Electric Current: 0.44A
- Wattage: 53W

## Model

- SVANGE 7236TLRR Swinging Door
- Included models in this configuration:  
Cabinet 1=2436R Cabinet 3=2436L  
Cabinet 2=2436R

## Electrical System

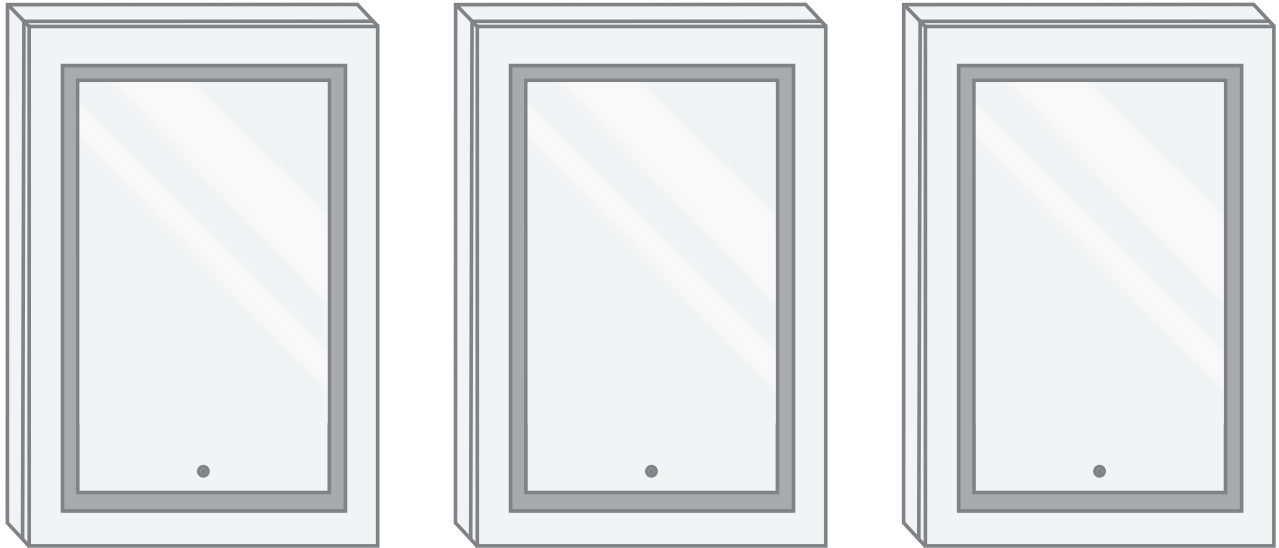
- Performance Requirments: Contains the required
- Supervisory Circiut with the Auto-Monitoring Function as noted by UL 1310
- Input Voltage: Min 112Vac, Nom 125Vac, Max 137Vac
- Frequency:60Hz
- Front Receptacle Current: 102-132Vac Nominal 15A
- USB Output Current:5VDC Nominal 4A

## SKU

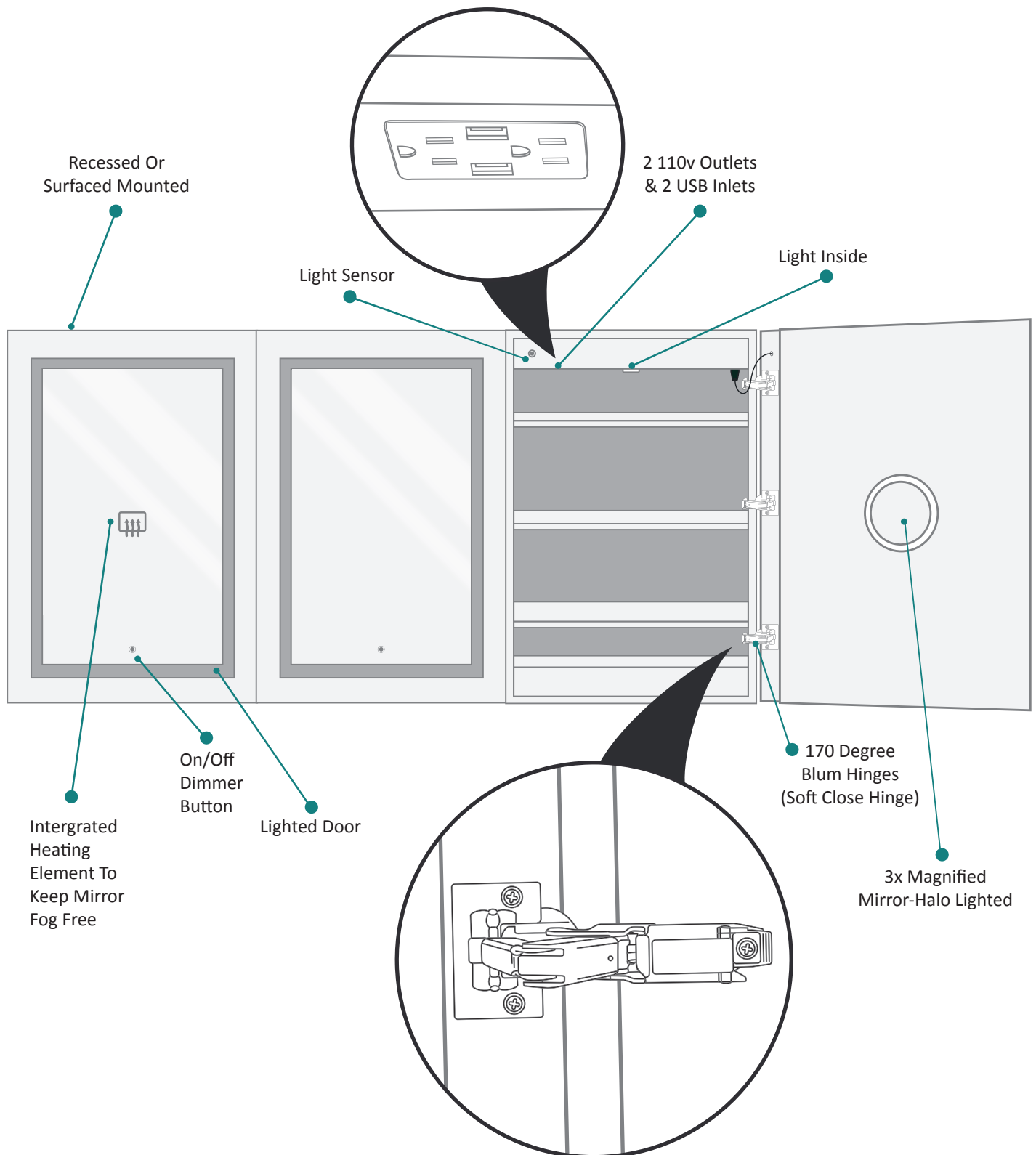
- Name: SVANGE 7236TLRR
- Height: 36"
- Width: 72"
- Weight: 162lbs
- Shipping weight: 167lbs

## CABINET CONFIGURATION

- Included models in this configuration:  
Cabinet 1 = 2436LR   Cabinet 2 = 2436R   Cabinet 3 = 2436L

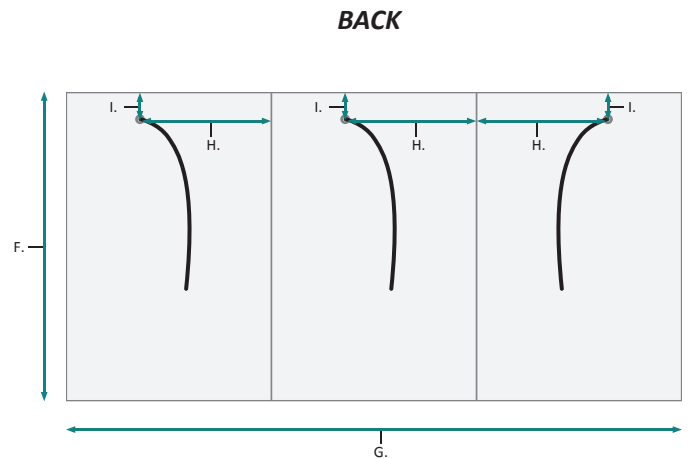
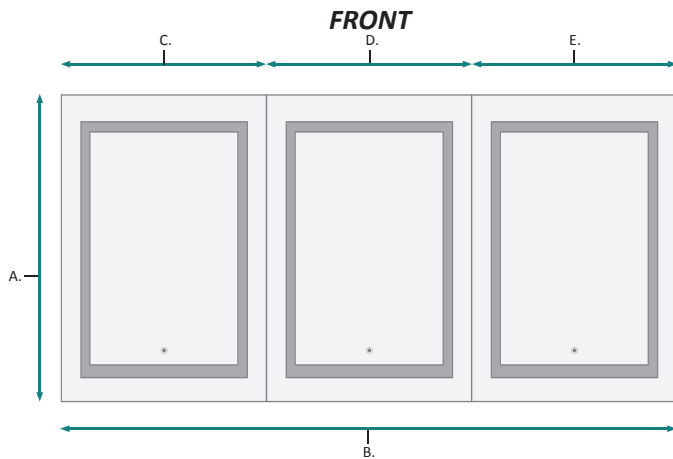
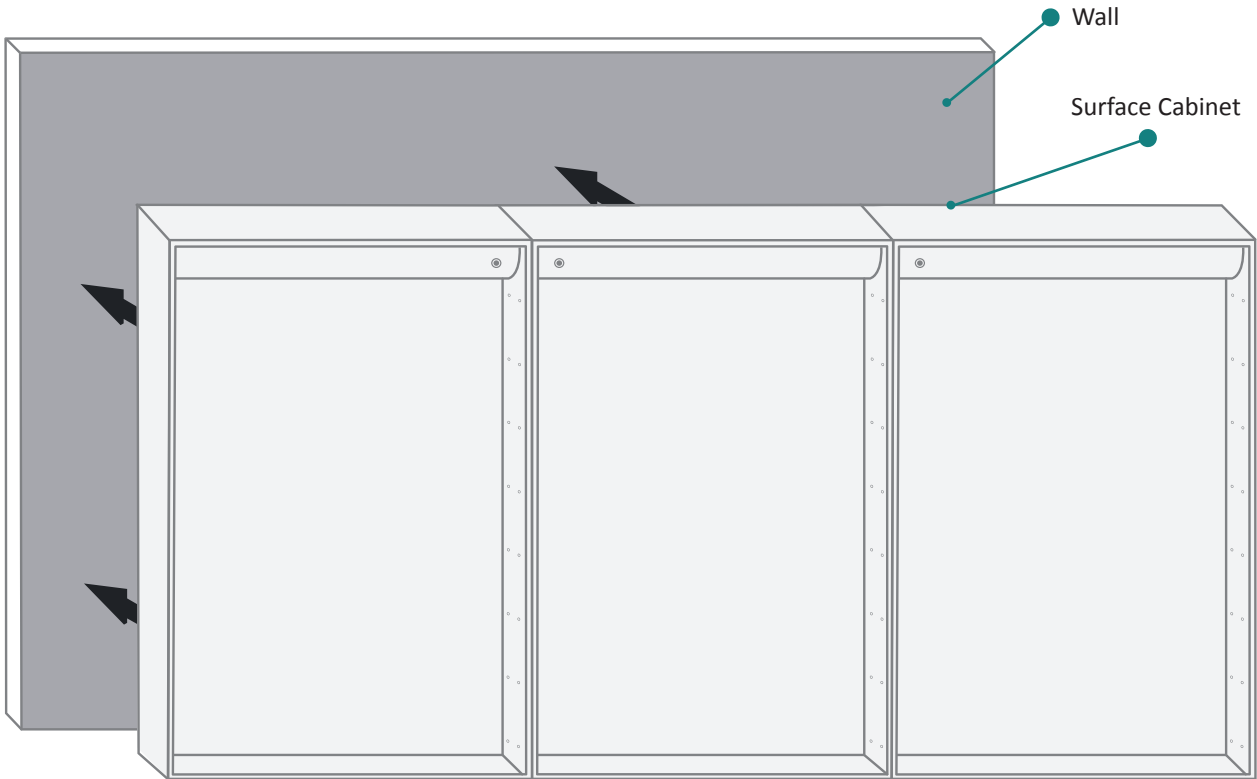


# SVANGE 7236TLRR LED Medicine Cabinet - Specification Sheet



# SVANGE 7236TLRR LED Medicine Cabinet - Specification Sheet

## SURFACE MOUNT



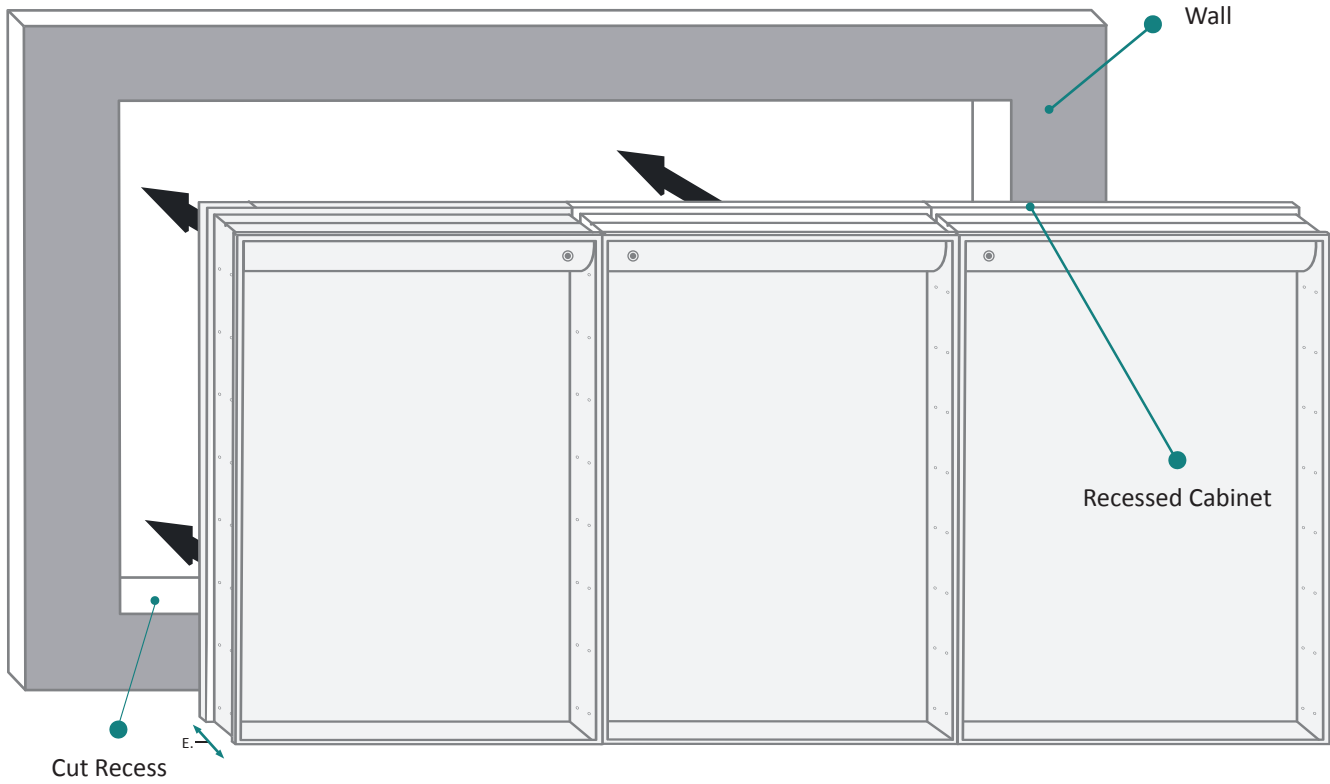
### FRONT & BACKS

MODEL	A	B	C	D	E	F	G	H	I
SVANGE 7236TLRR	36	72	24	24	24	36	72	11-1/4	1-1/8

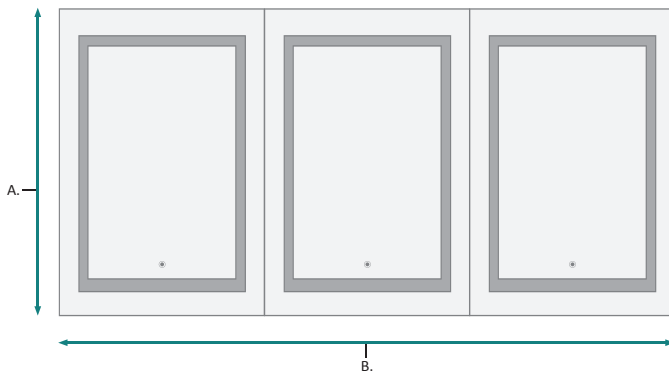
These measurements are for reference, for best results we suggest you measure actual product as small variations in size are possible

# SVANGE 7236TLRR LED Medicine Cabinet - Specification Sheet

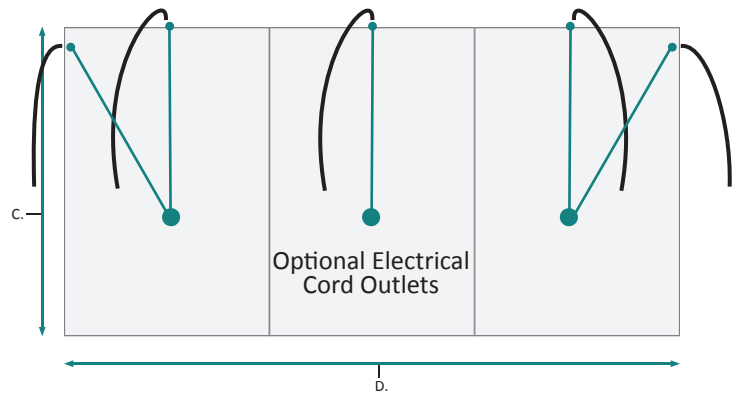
## RECESSED MOUNT



### FRONT



### BACK

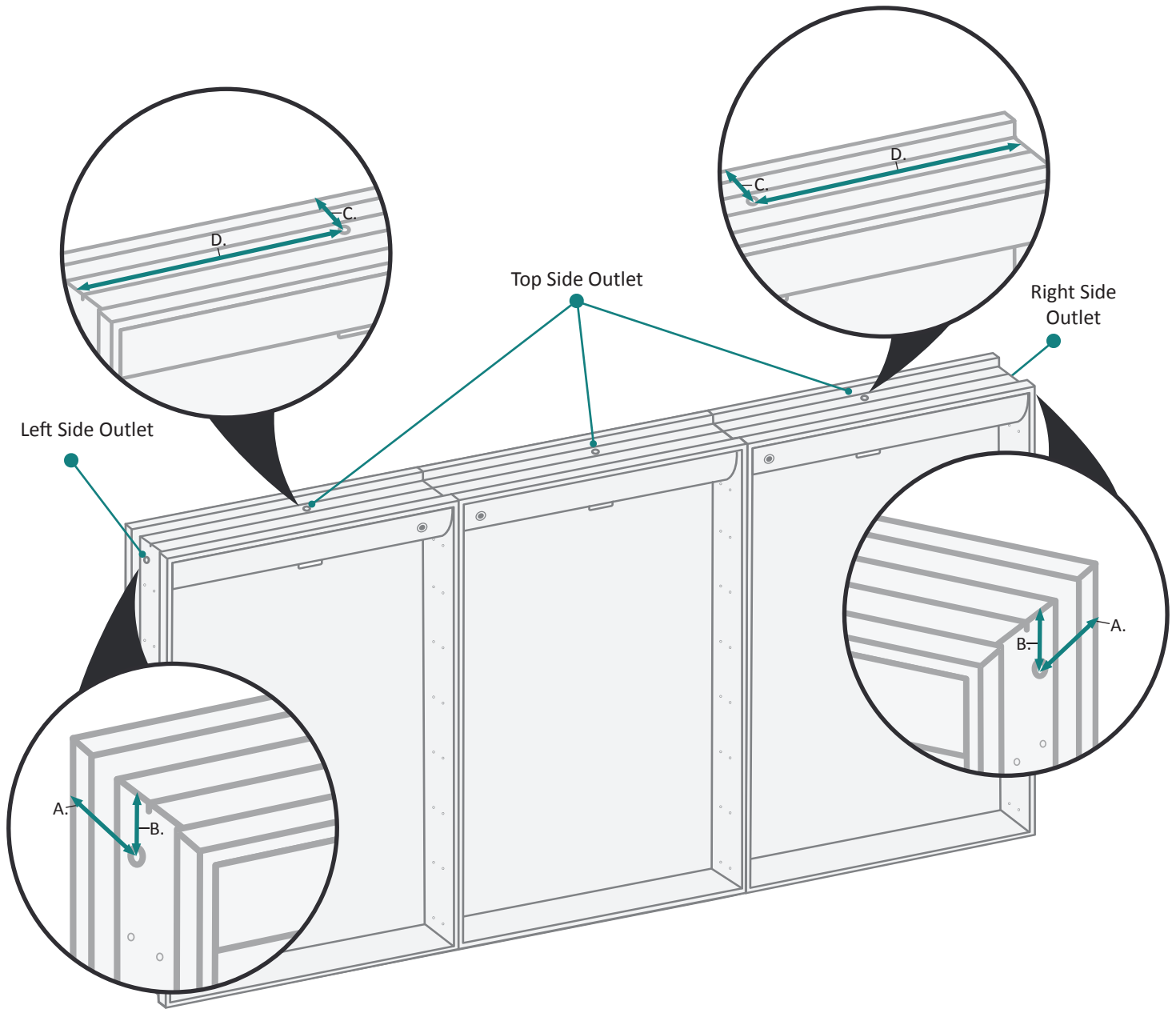


### FRONT & BACKS

MODEL	A	B	C	D	E
SVANGE 7236TLRR	36	72	35-1/8	71-1/8	3-7/8

These measurements are for reference, for best results we suggest you measure actual product as small variations in size are possible

**RECESS INSTALLATION OPTIONAL ELECTRICAL CORD LOCATIONS**

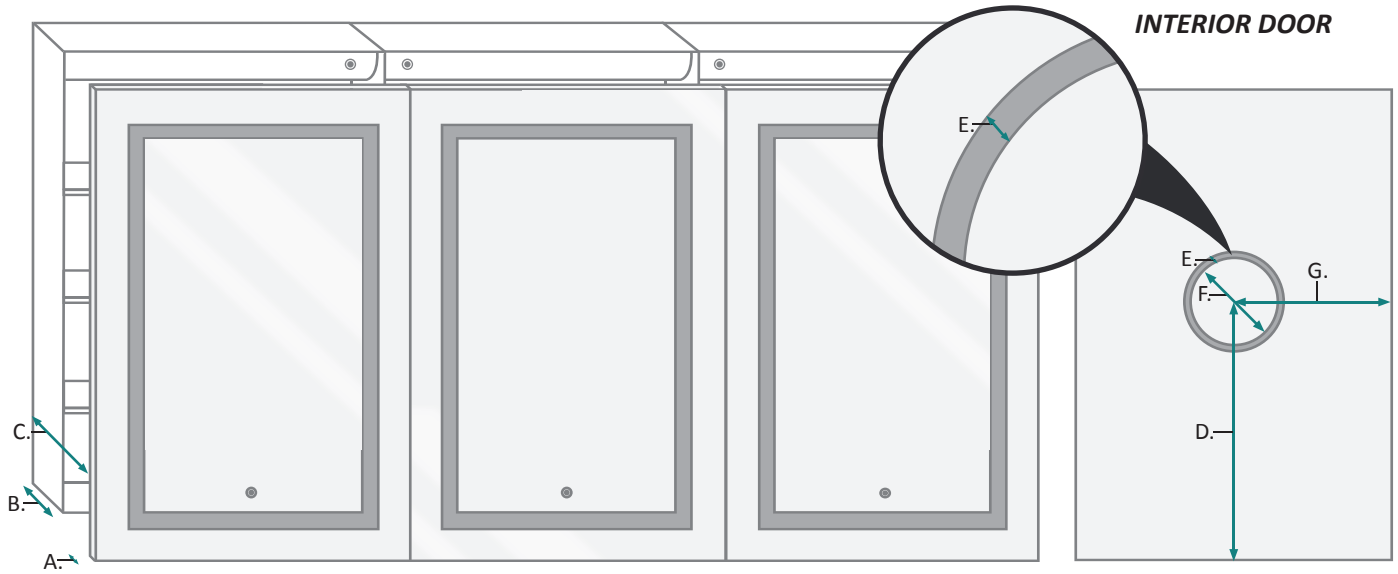


**ELECTRICAL CORD LOCATIONS**

MODEL	A	B	C	D
SVANGE 7236TLRR	1-1/2	1-1/8	1-3/8	11-1/4

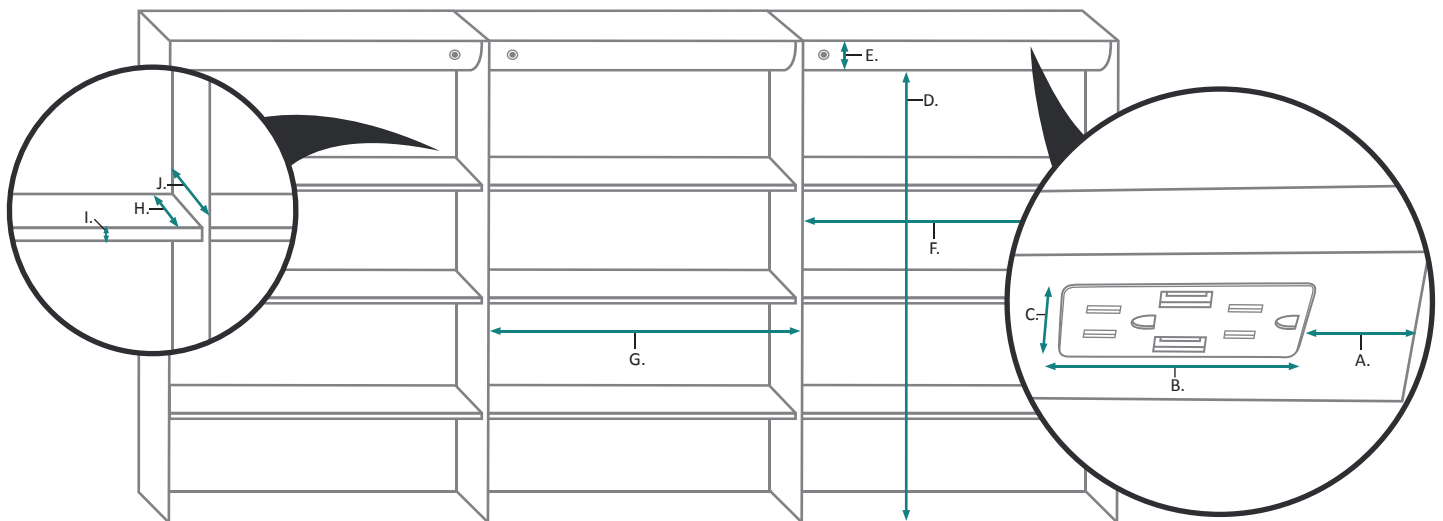
These measurements are for reference, for best results we suggest you measure actual product as small variations in size are possible

# SVANGE 7236TLRR LED Medicine Cabinet - Specification Sheet



## DOOR & CABINET

MODEL	A	B	C	D	E	F	G
SVANGE 7236TLRR	7/8	3-7/8	4-3/4	18	3/8	5-1/4	11-1/4



## INTERIOR CABINET

MODEL	A	B	C	D	E	F	G	H	I	J
SVANGE 7236TLRR	3-3/4	5-5/8	1-1/4	32-1/4	2-1/4	22-1/2	22-1/2	2-3/8	3/8	3-5/8

These measurements are for reference, for best results we suggest you measure actual product as small variations in size are possible