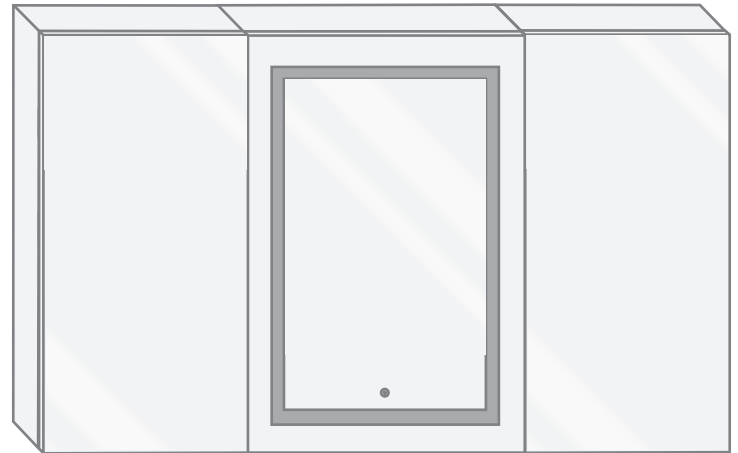


Features

- Dimmable LED task lighting
- Integrated touch sensor control with memory
- Energy efficient LED lighting 5000K
- 3100 Lumens
- CRI 90+
- Integrated Defogger

Construction

- Quality polished edge mirror
- Single phase wire installation
- 5 MM Silver Backed Copper Free
- Installation Either Surface Mount
- (Side Mirror Trim Panels included) or Recessed
- Includes installation hardware



Codes/Standards Applicable

- Conforms to UL Std. 962
- Cert. to CSA Std. C22.2 No.250.0-08
- ETL Intertek 5004931

Electrical System

- 120Vac, 60Hz, 53W
- Electric Current: 0.44A
- Wattage: 53W

Model

- SVANGE 6036LRR Right Swinging Door
- Included models in this configuration:
Cabinet 1=1836R Cabinet 2=2436R
Cabinet 3=1836L

Electrical System

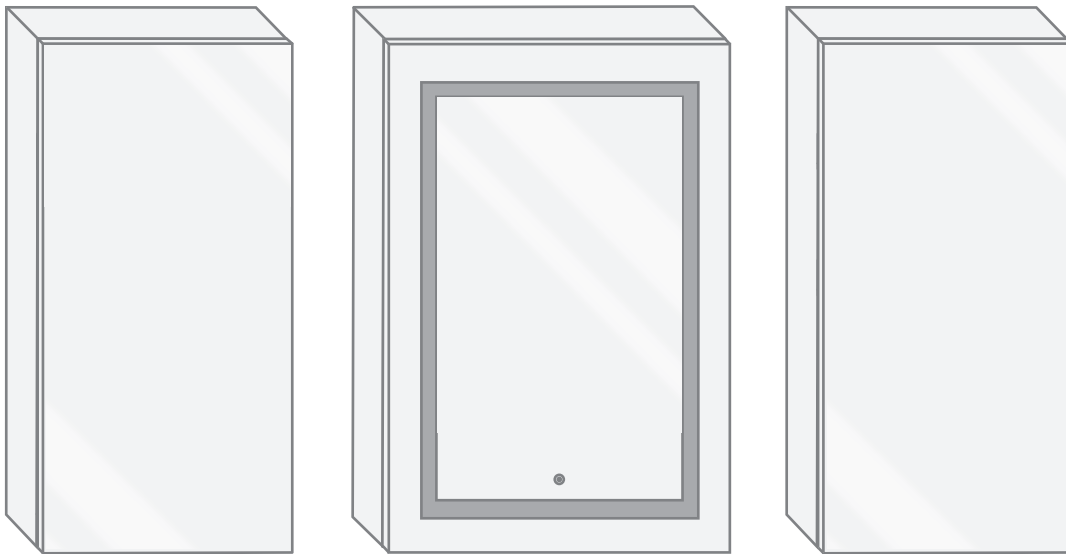
- Performance Requirements: Contains the required
- Supervisory Circuit with the Auto-Monitoring Function as noted by UL 1310
- Input Voltage: Min 112Vac, Nom 125Vac, Max 137Vac
- Frequency: 60Hz
- Front Receptacle Current: 102-132Vac Nominal 15A
- USB Output Current: 5VDC Nominal 4A

SKU

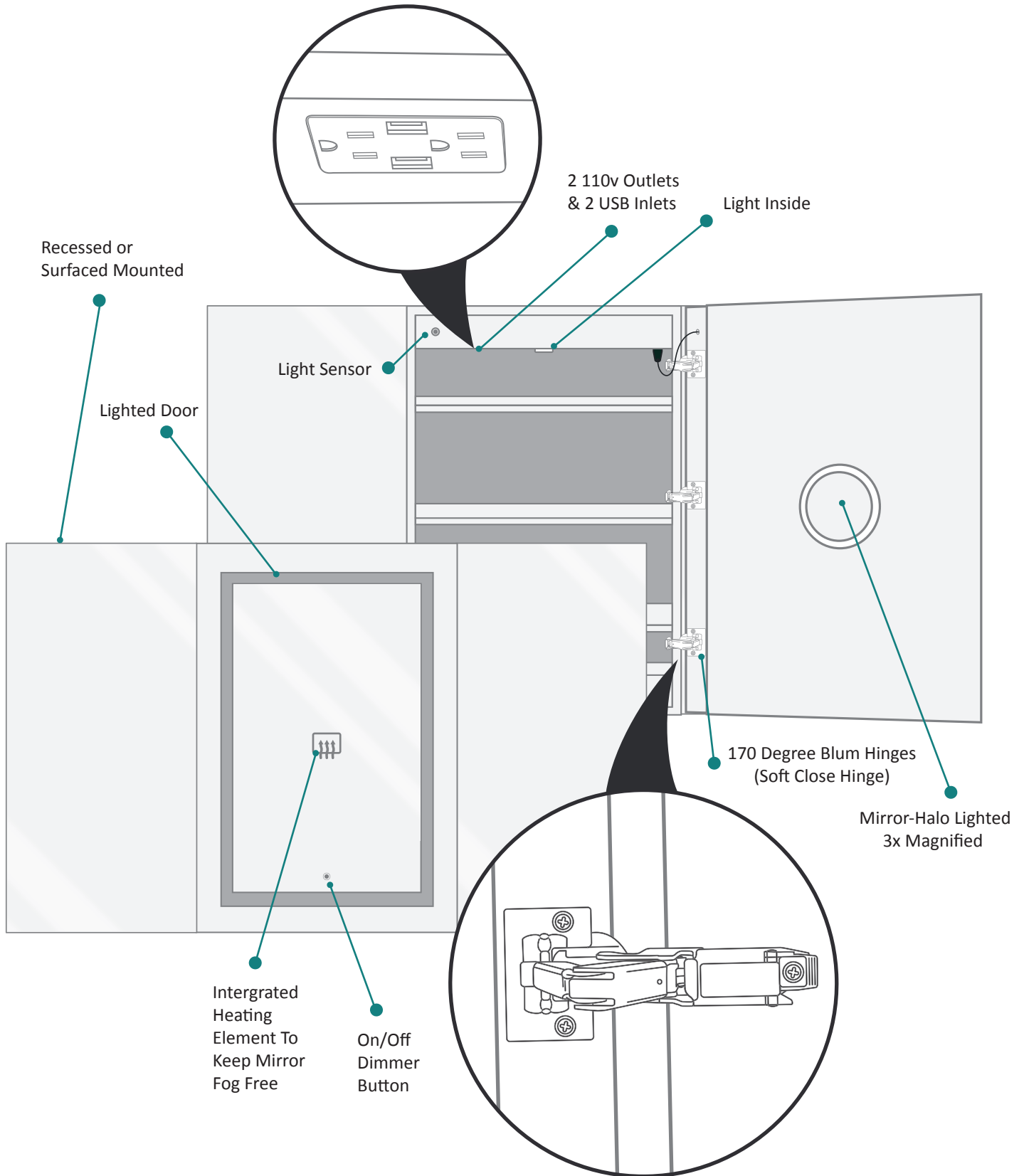
- Name: SVANGE 6036LRR
- Height: 36"
- Width: 60"
- Weight: 151lbs
- Shipping weight: 157lbs

CABINET CONFIGURATION

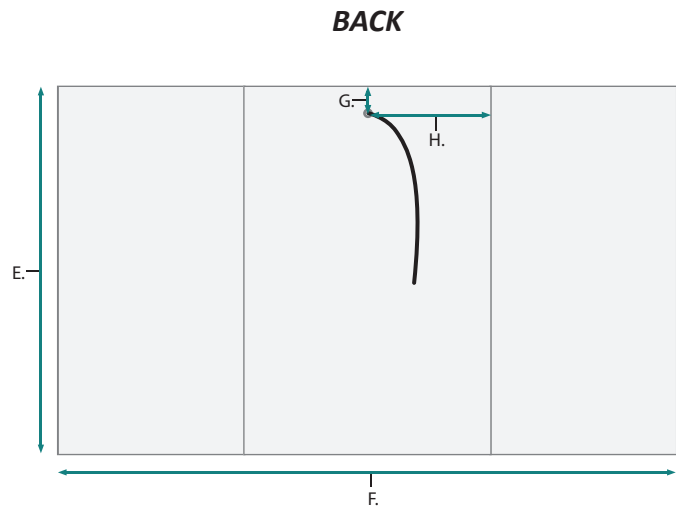
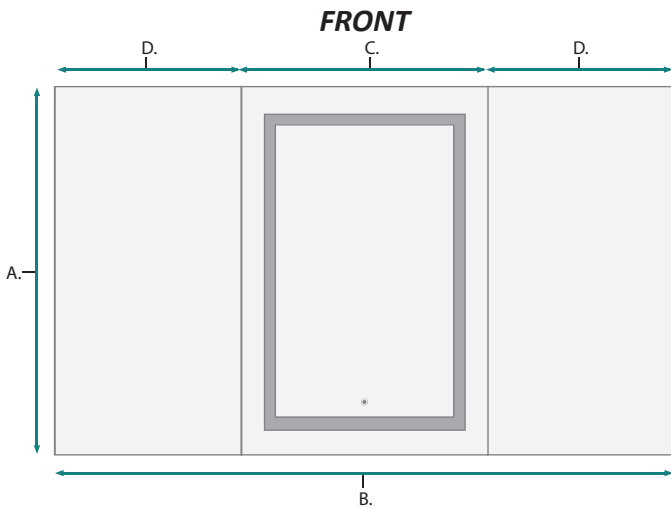
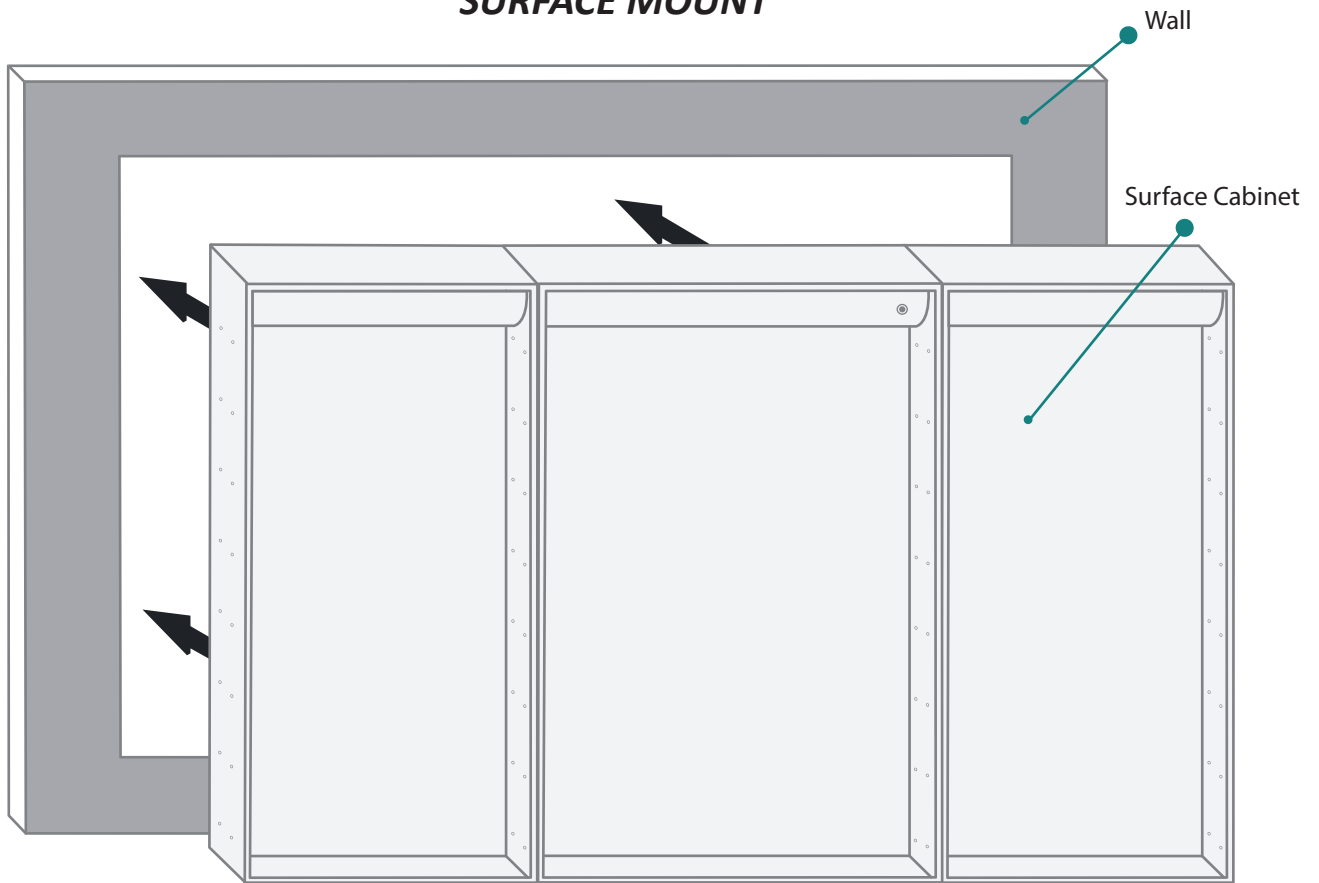
- Included models in this configuration:
Cabinet 1 = 1836R Cabinet 2=2436R Cabinet 3=1836L



SVANGE 6036LRR LED Medicine Cabinet - Specification Sheet



SURFACE MOUNT

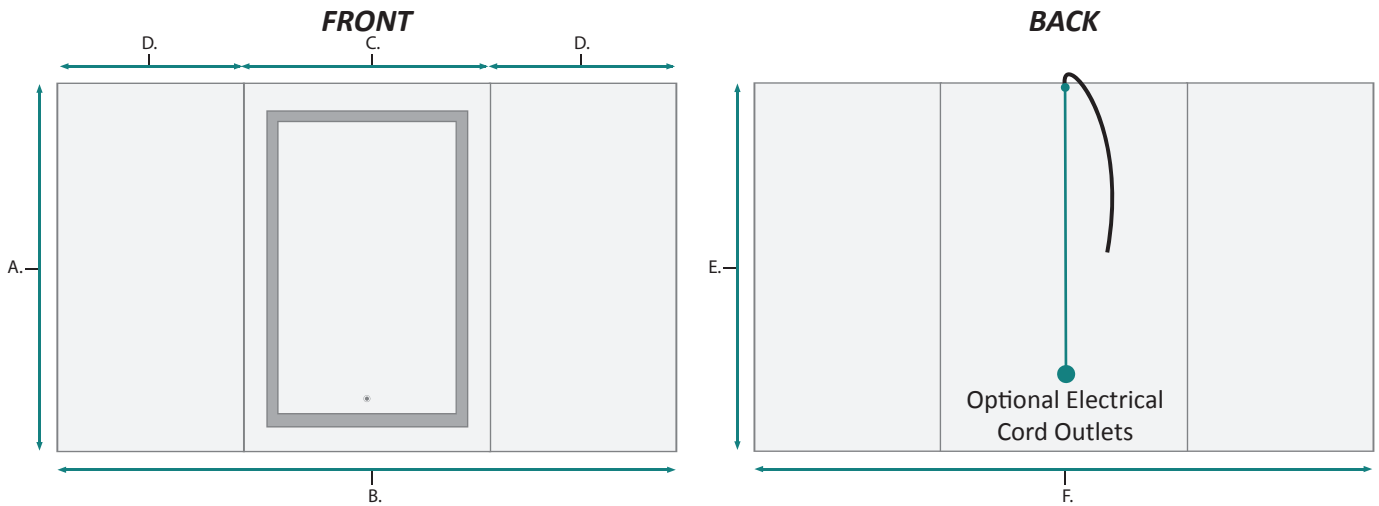
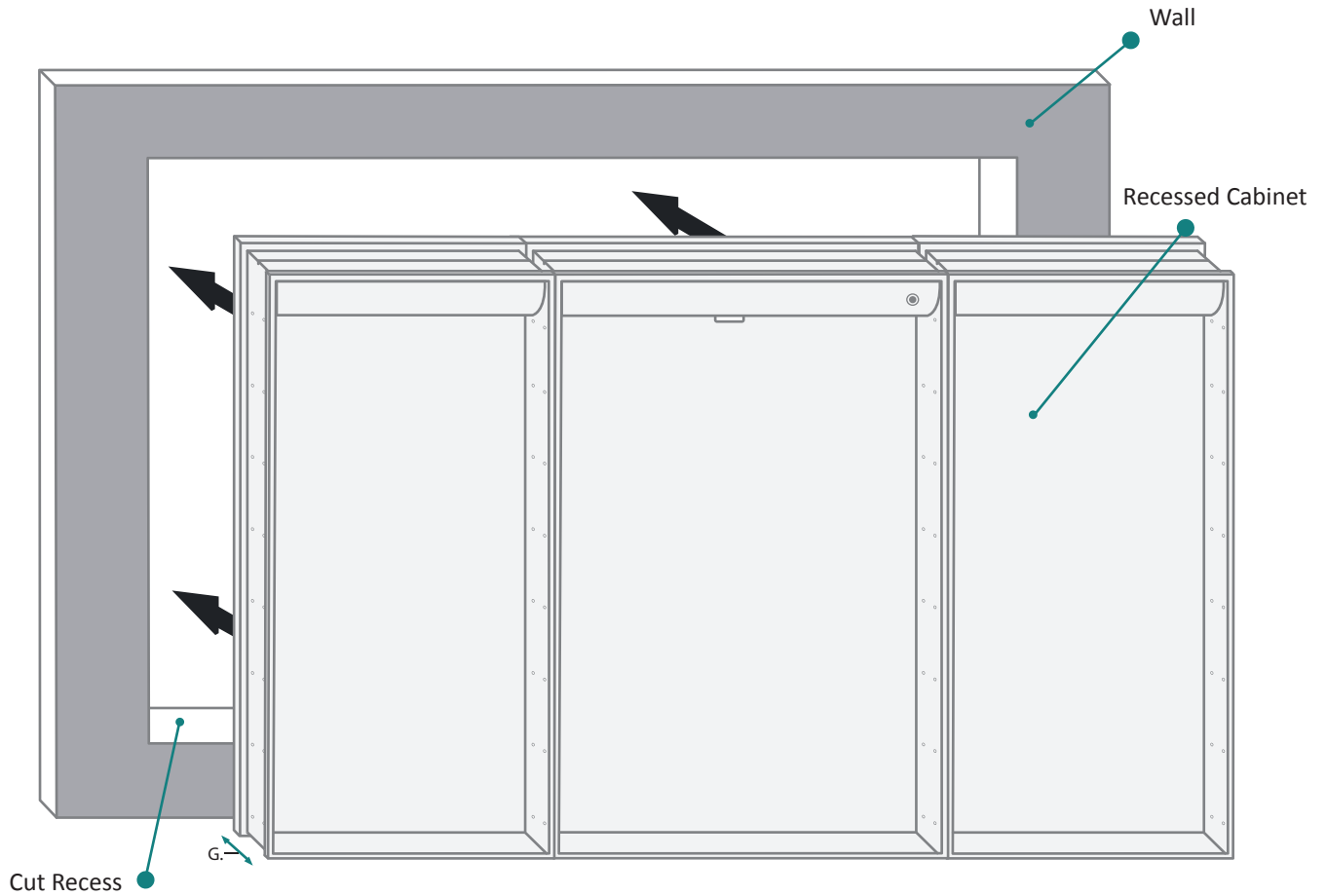


FRONT & BACKS

MODEL	A	B	C	D	E	F	G	H
SVANGE6036LRR	36	60	24	18	36	60	1-1/8	12

These measurements are for reference, for best results we suggest you measure actual product as small variations in size are possible

RECESSED MOUNT

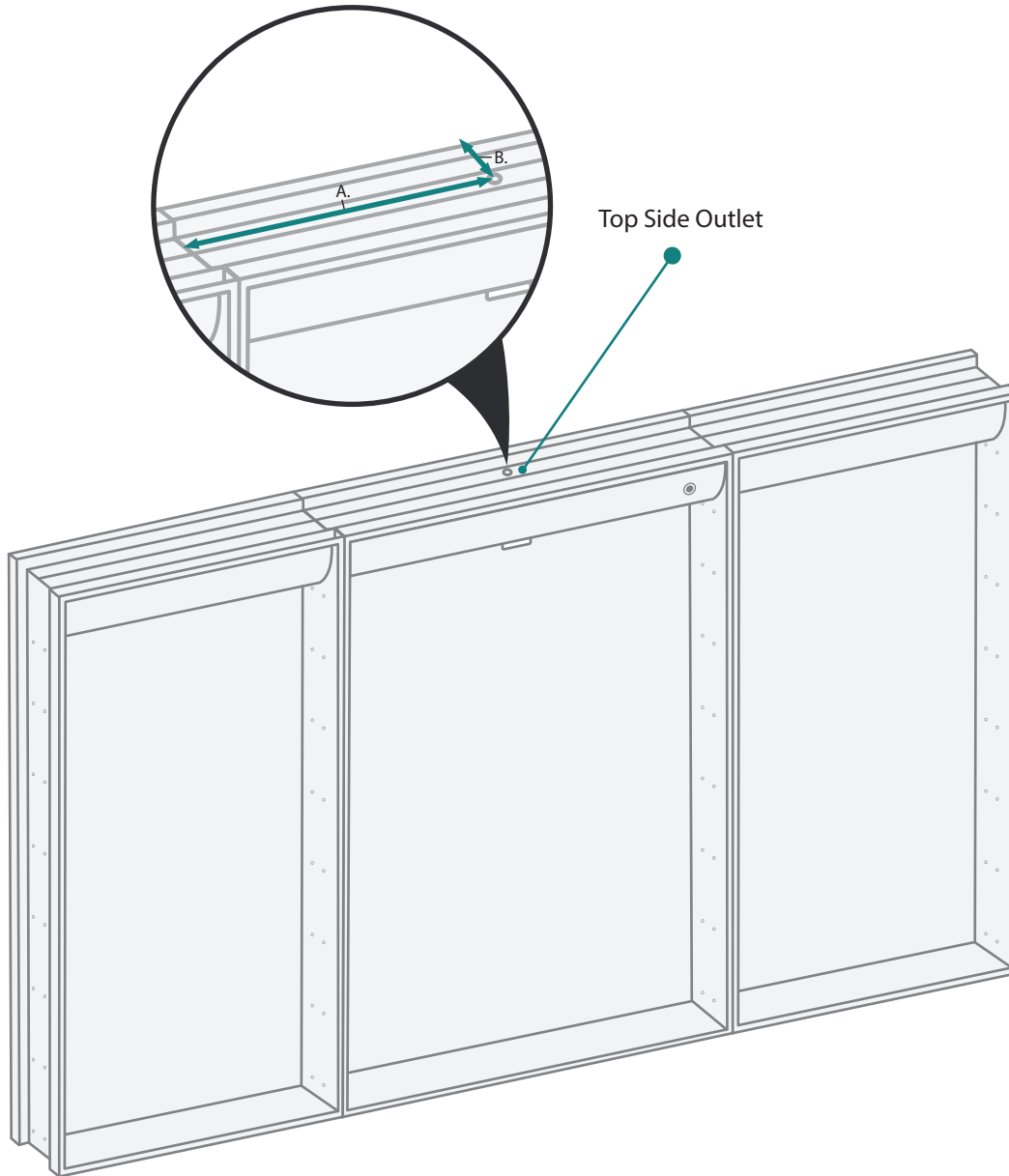


FRONT & BACKS

MODEL	A	B	C	D	E	F	G
SVANGE6036LRR	36	60	24	18	35-1/8	59-1/8	3-1/2

These measurements are for reference, for best results we suggest you measure actual product as small variations in size are possible

RECESS INSTALLATION OPTIONAL ELECTRICAL CORD LOCATIONS

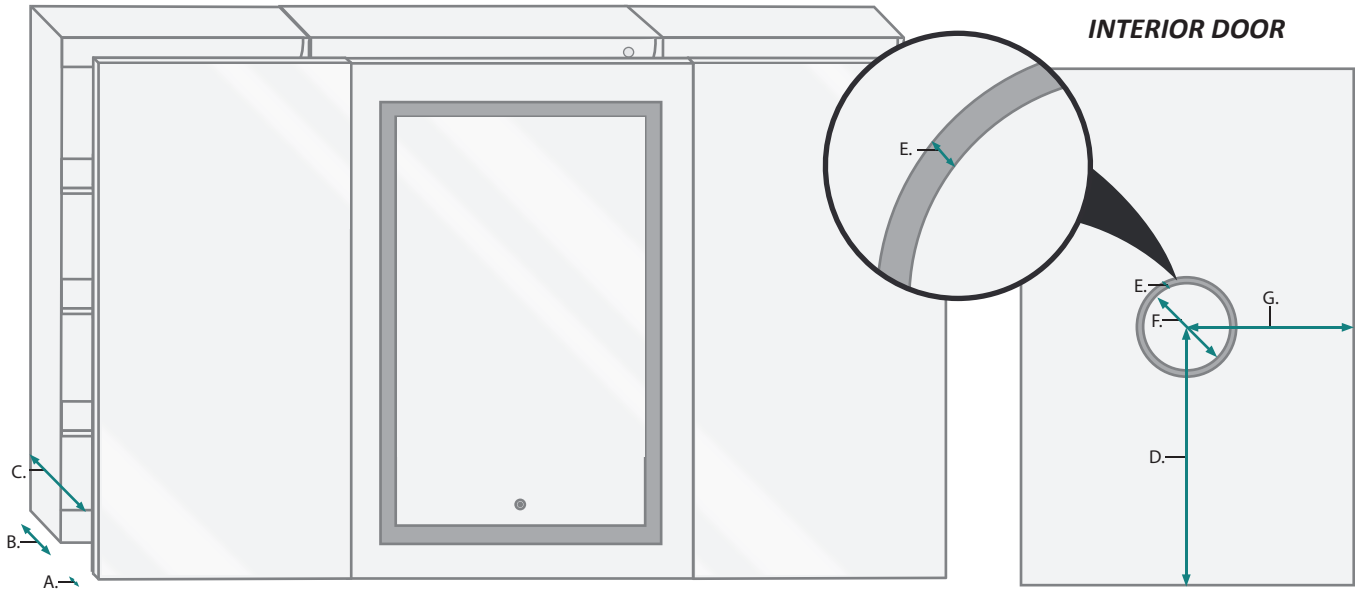


ELECTRICAL CORD LOCATIONS

MODEL	A	B
SVANGE6036LRR	1-1/8	12

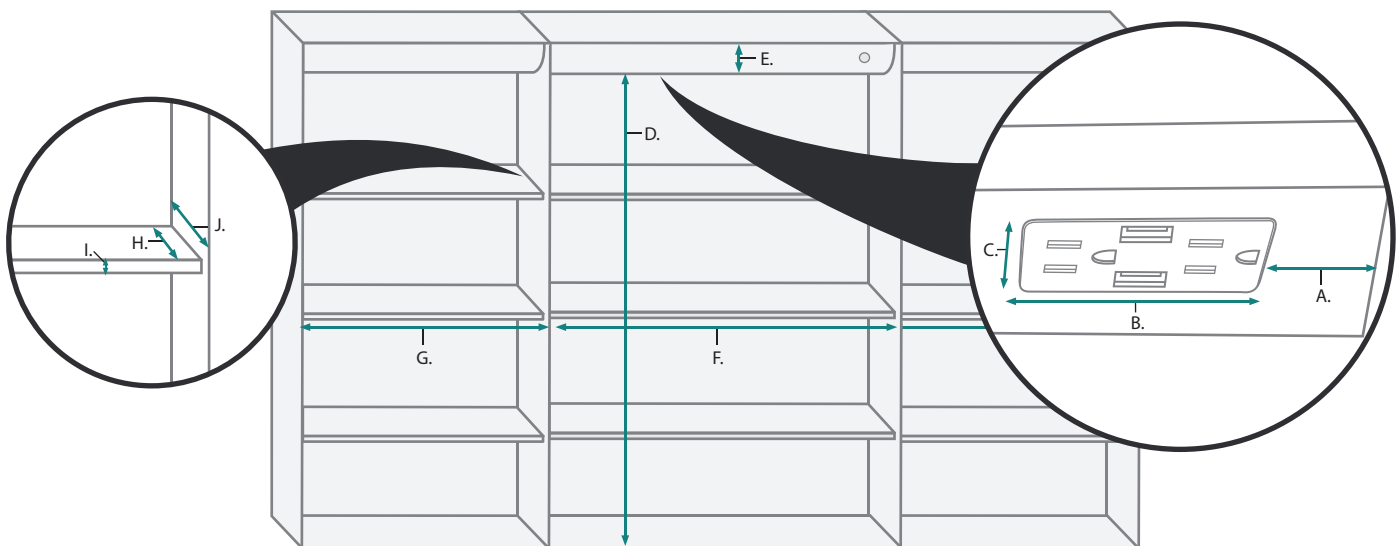
These measurements are for reference, for best results we suggest you measure actual product as small variations in size are possible

SVANGE 6036LRR LED Medicine Cabinet - Specification Sheet



DOOR & CABINET

MODEL	A	B	C	D	E	F	G
SVANGE6036LRR	7/8	3-1/2	5	18	3/8	5-1/4	13



INTERIOR CABINET

MODEL	A	B	C	D	E	F	G	H	I	J
SVANGE6036LRR	3-3/4	5-5/8	1-1/4	32	2-1/4	22-1/4	16-1/4	2-3/8	3/8	3-5/8

These measurements are for reference, for best results we suggest you measure actual product as small variations in size are possible