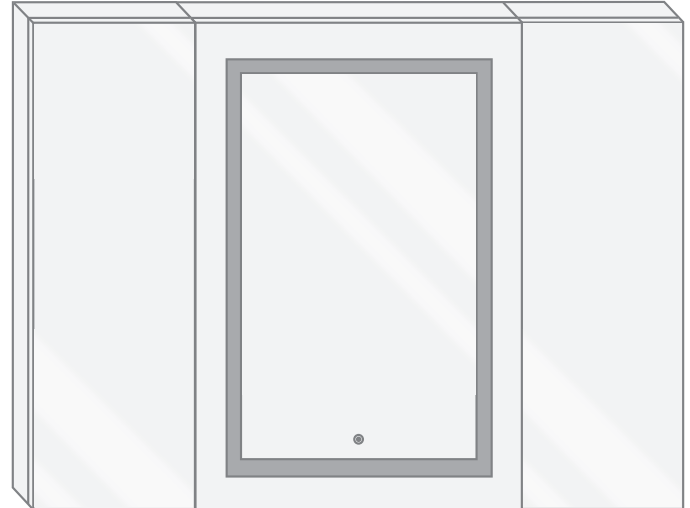


## Features

- Dimmable LED task lighting
- Integrated touch sensor control with memory
- Energy efficient LED lighting 5000K
- 3100 Lumens
- CRI 90+
- Integrated Defogger

## Construction

- Quality polished edge mirror
- Single phase wire installation
- 5 MM Silver Backed Copper Free
- Installation Either Surface Mount
- (Side Mirror Trim Panels included) or Recessed
- Includes installation hardware



## Codes/Standards Applicable

- Conforms to UL Std. 962
- Cert. to CSA Std. C22.2 No.250.0-08
- ETL Intertek 5004931

## Electrical System

- 120Vac, 60Hz, 53W
- Electric Current: 0.44A
- Wattage: 53W

## Model

- SVANGE 4836LLR Right & Left Swinging Door
- Included models in this configuration:  
Cabinet 1=1236L Cabinet 2=2436L  
Cabinet 3=1236R

## Electrical System

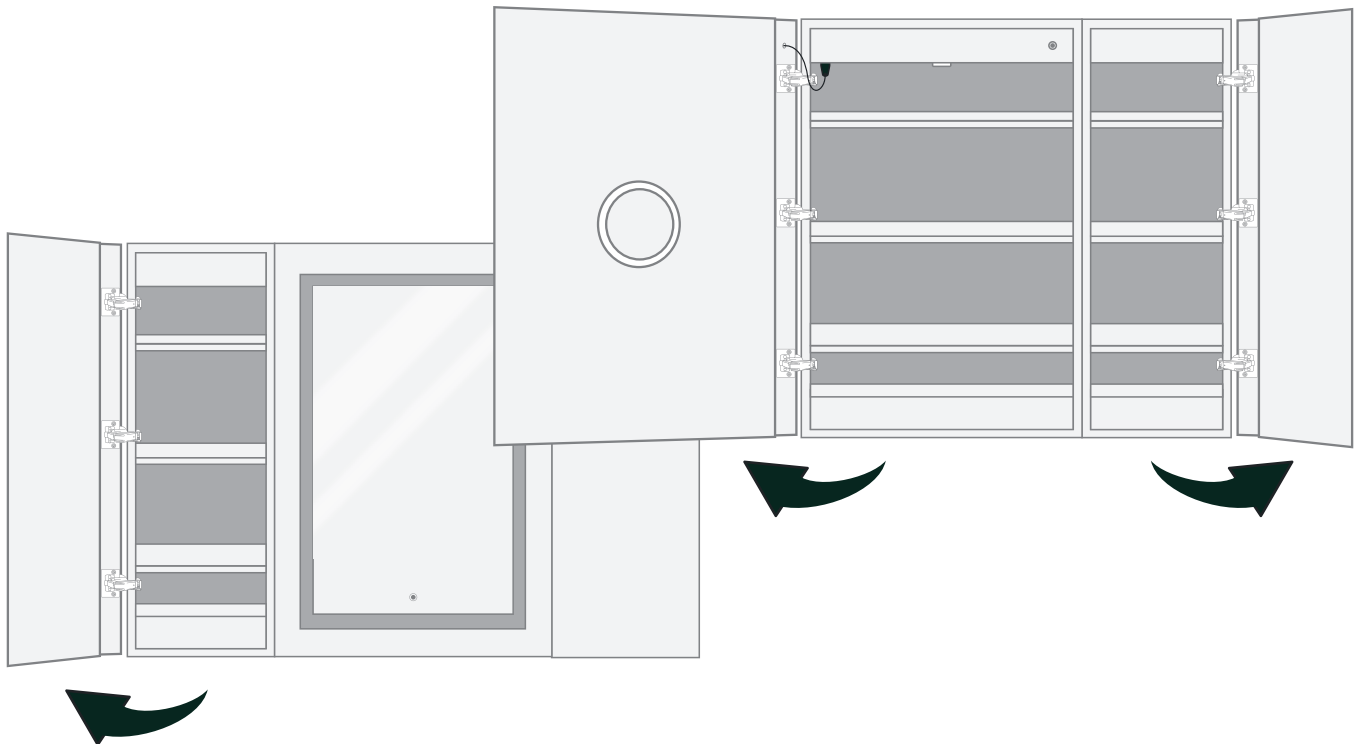
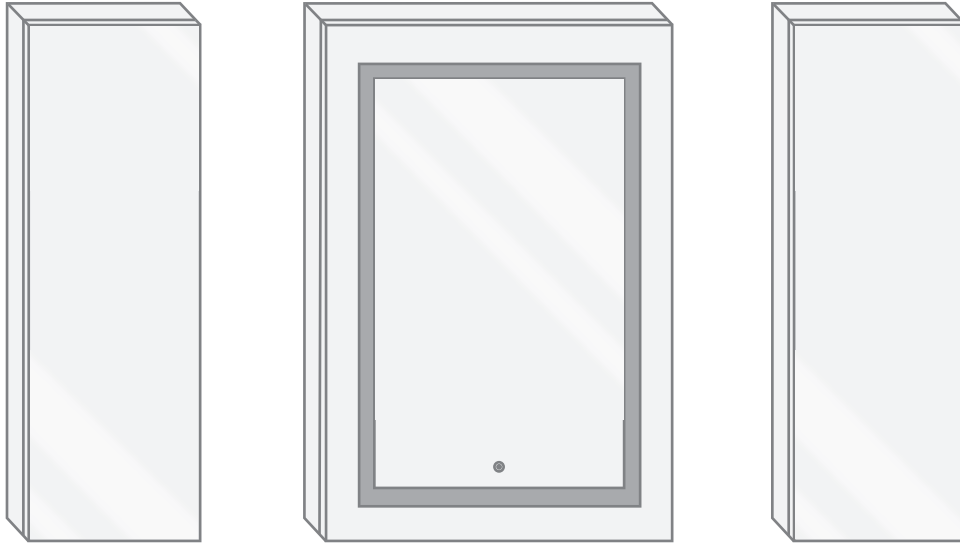
- Performance Requirements: Contains the required
- Supervisory Circuit with the Auto-Monitoring Function as noted by UL 1310
- Input Voltage: Min 112Vac, Nom 125Vac, Max 137Vac
- Frequency: 60Hz
- Front Receptacle Current: 102-132Vac Nominal 15A
- USB Output Current: 5VDC Nominal 4A

## SKU

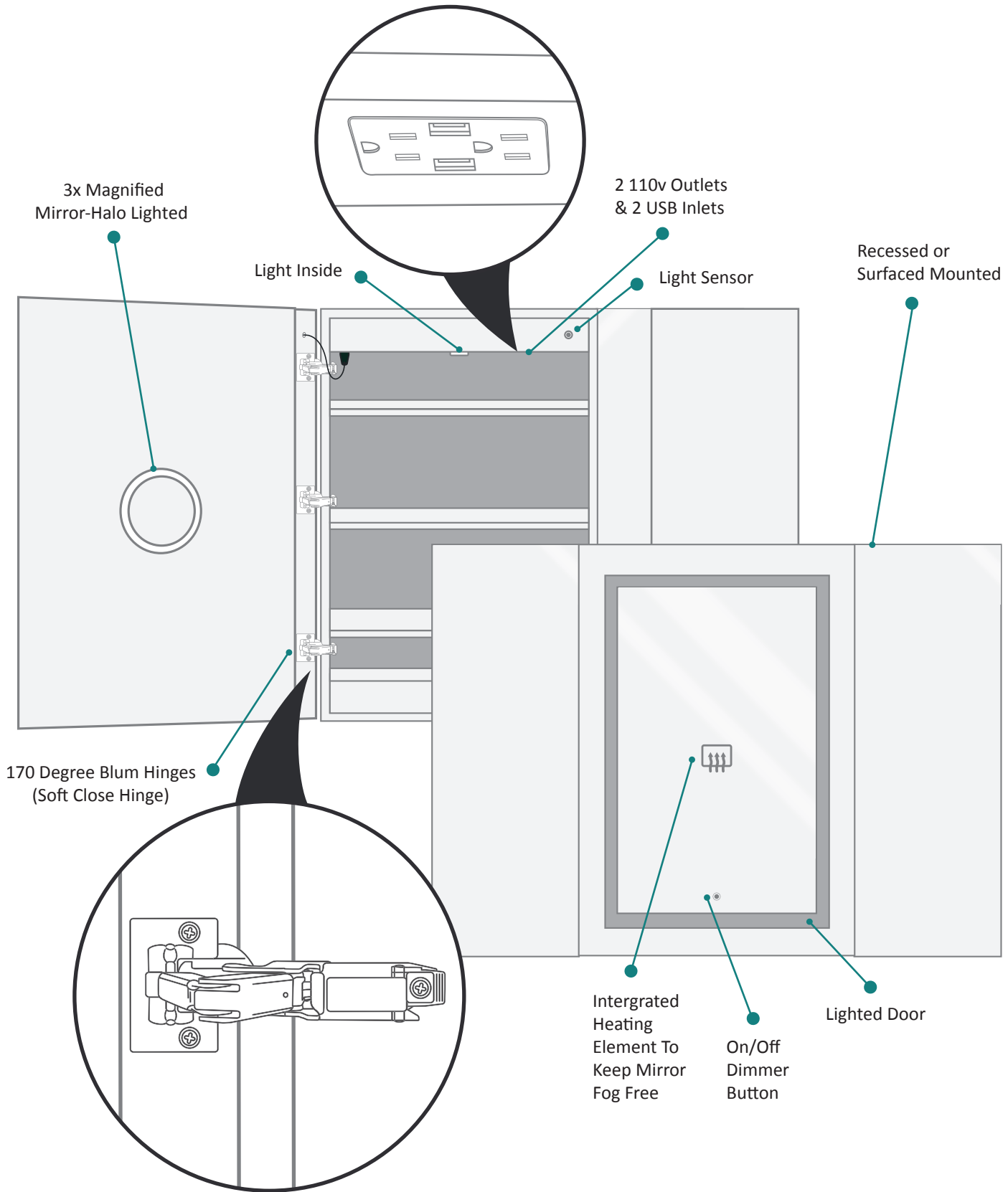
- Name: SVANGE 4836LLR
- Height: 36"
- Width: 48"
- Weight: 108lbs
- Shipping weight: 112lbs

**CABINET CONFIGURATION**

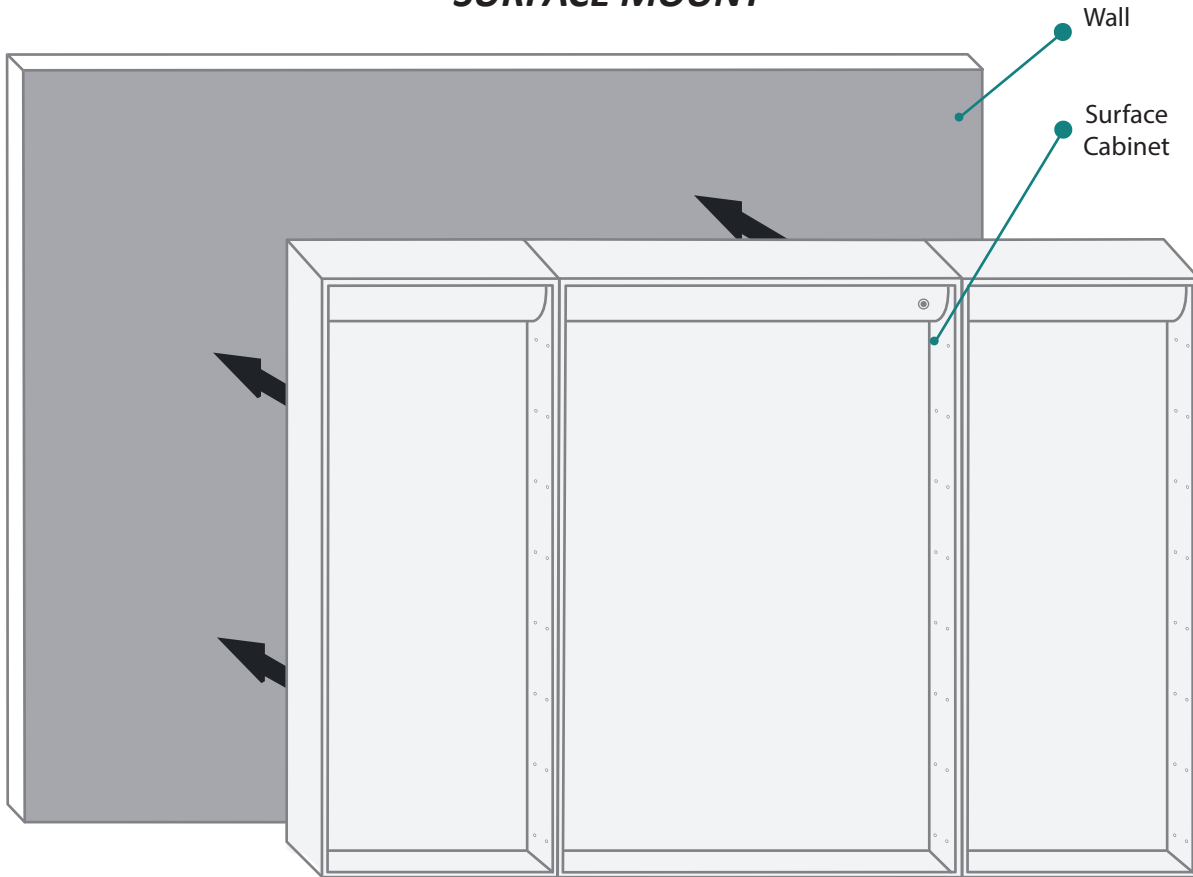
- Included models in this configuration:  
Cabinet 1 = 2436L Cabinet 2=2436L Cabinet 2=1236R



# SVANGE 4836LLR LED Medicine Cabinet - Specification Sheet

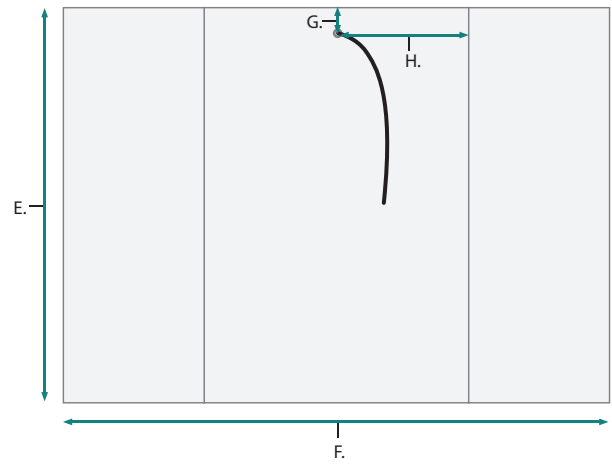
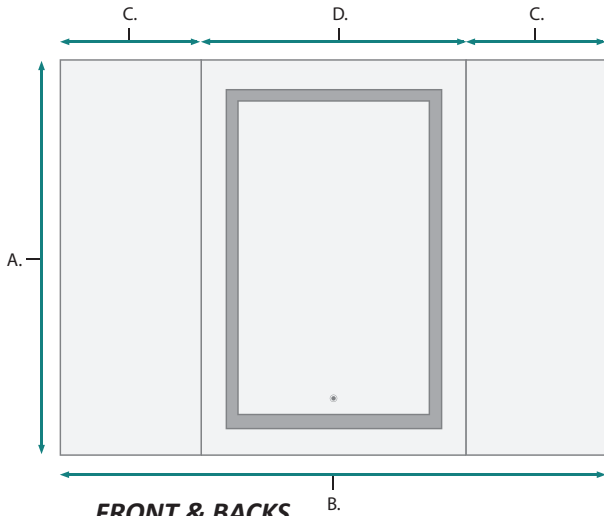


**SURFACE MOUNT**



**FRONT**

**BACK**

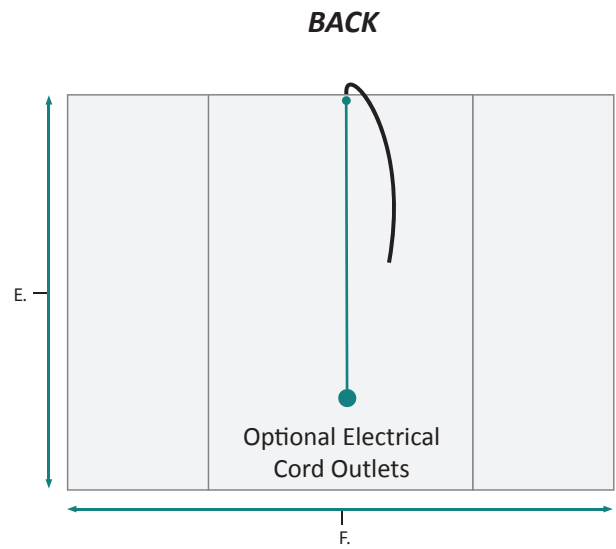
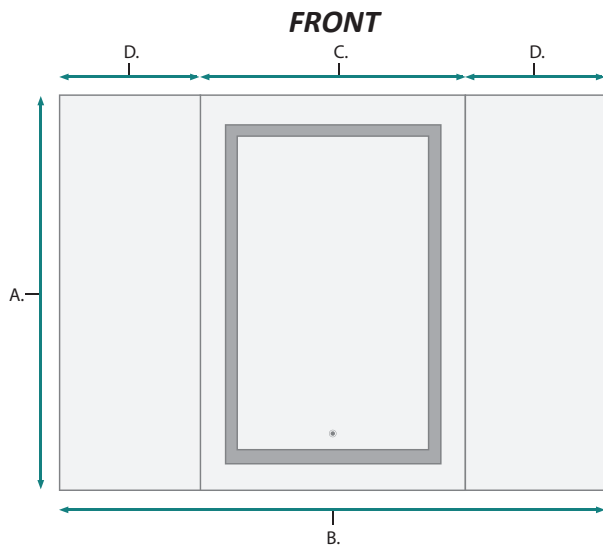
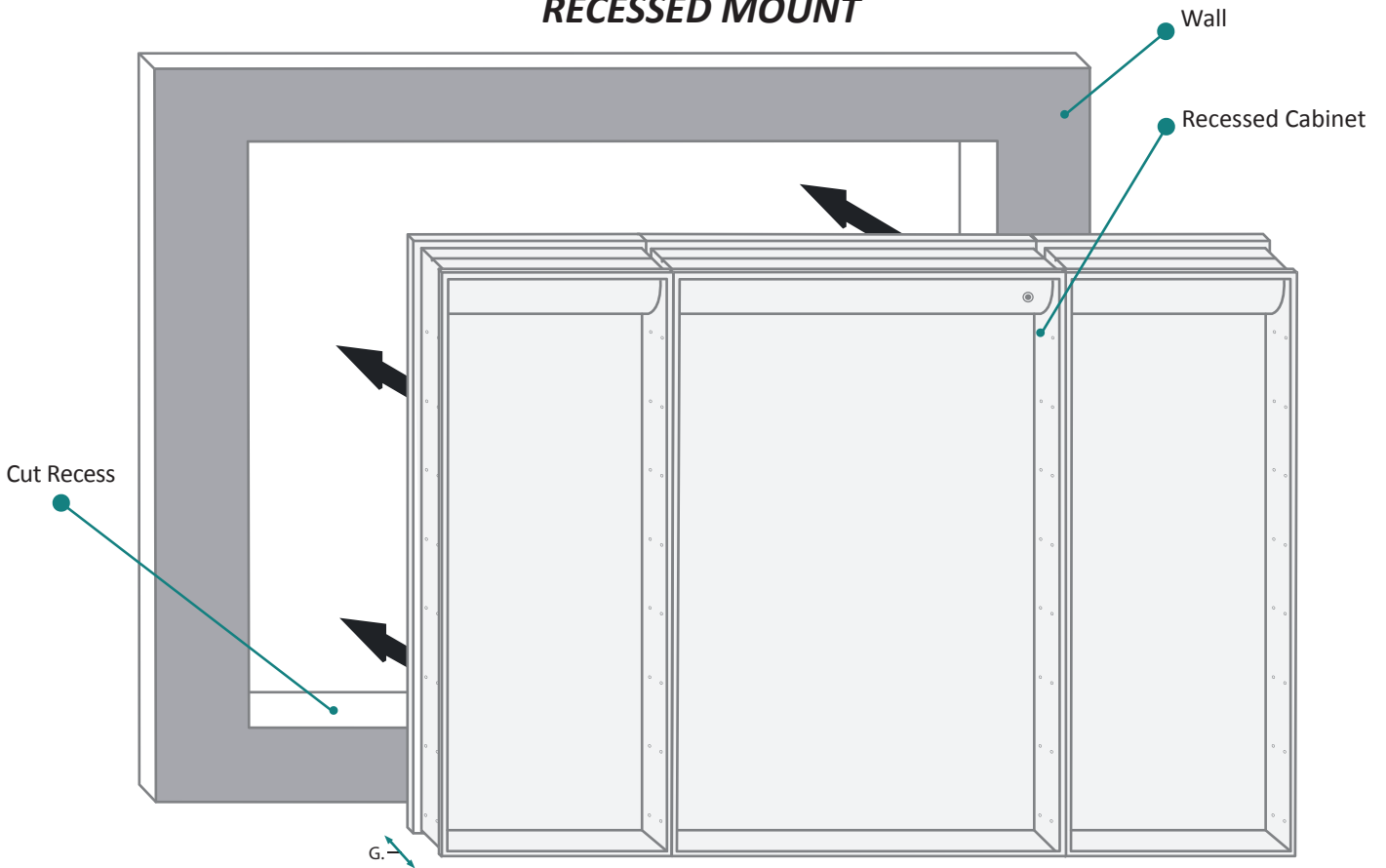


**FRONT & BACKS**

MODEL	A	B	C	D	E	F	G	H
SVANGE4836LLR	36	48	24	12	36	48	1-1/8	12

These measurements are for reference, for best results we suggest you measure actual product as small variations in size are possible

**RECESSED MOUNT**

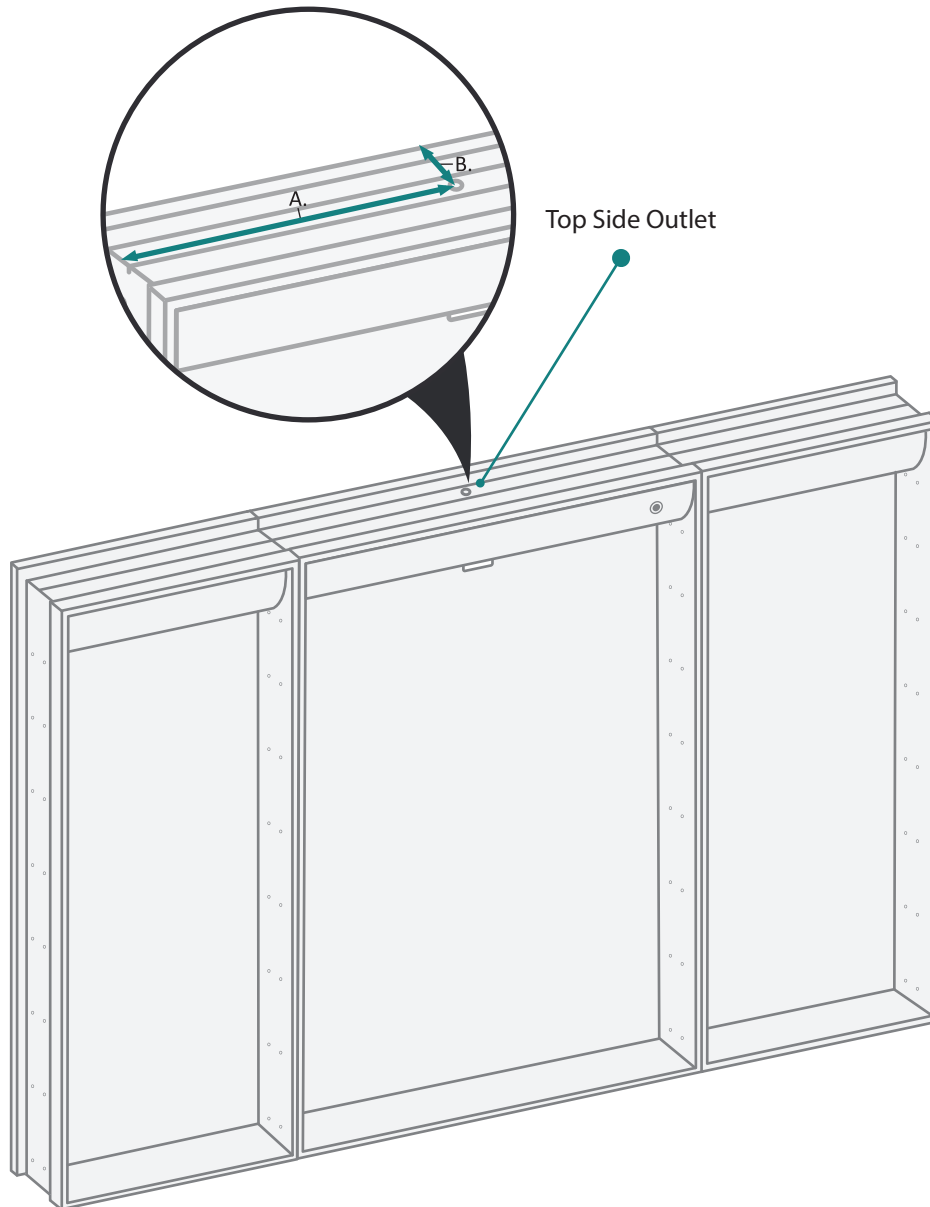


**FRONT & BACKS**

MODEL	A	B	C	D	E	F	G
SVANGE4836LLR	36	48	24	12	35-1/8	47-1/8	3-1/2

These measurements are for reference, for best results we suggest you measure actual product as small variations in size are possible

**RECESS INSTALLATION OPTIONAL ELECTRICAL CORD LOCATIONS**

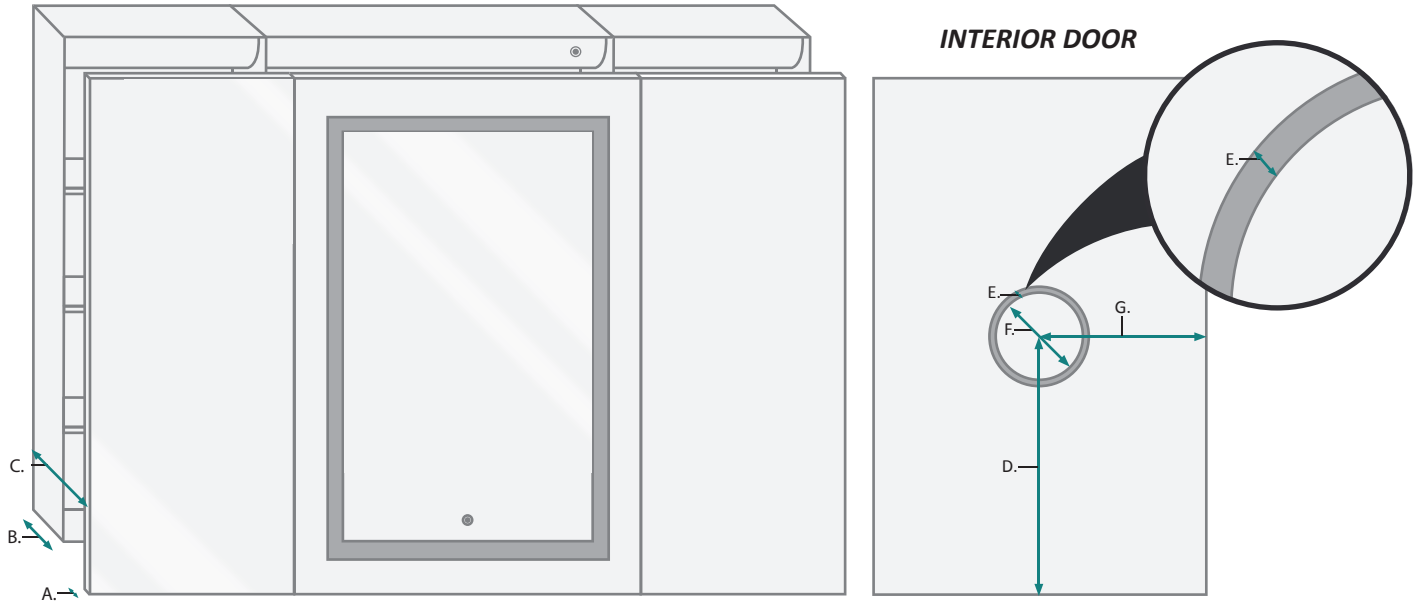


**ELECTRICAL CORD LOCATIONS**

MODEL	A	B
SVANGE4836LLR	1-1/8	12

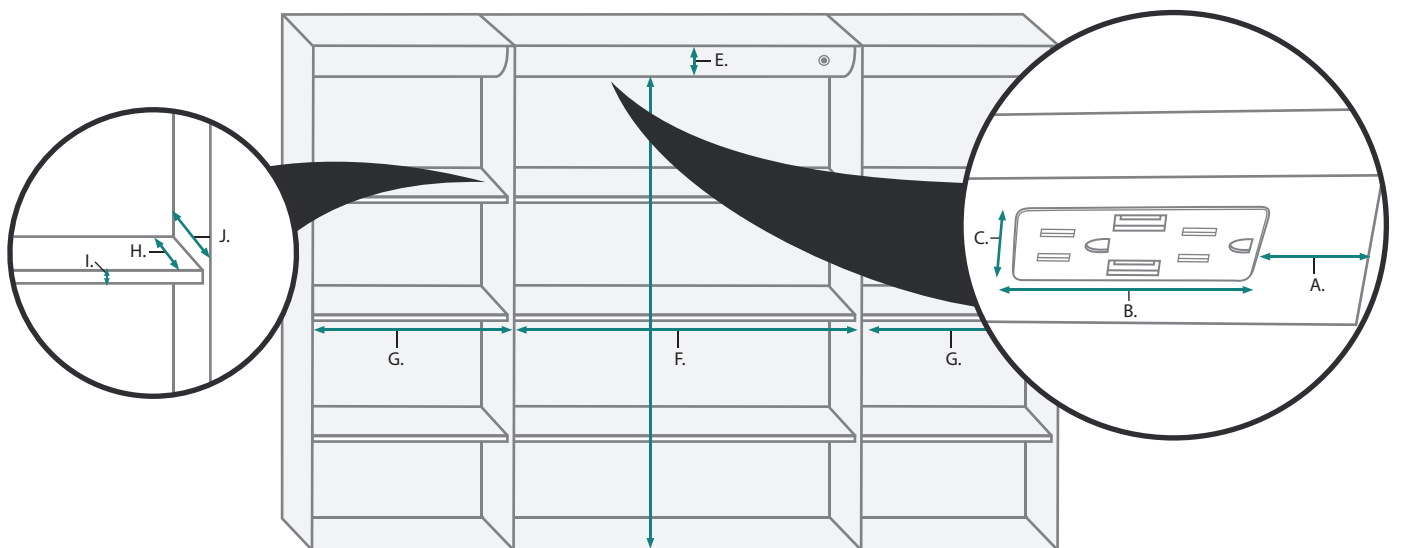
These measurements are for reference, for best results we suggest you measure actual product as small variations in size are possible

# SVANGE 4836LLR LED Medicine Cabinet - Specification Sheet



## DOOR & CABINET

MODEL	A	B	C	D	E	F	G
SVANGE4836LLR	7/8	3-1/2	5	18	3/8	5-1/4	13



## INTERIOR CABINET

MODEL	A	B	C	D	E	F	G	H	I	J
SVANGE4836LLR	3-3/4	5-5/8	1-1/4	32	2-1/4	22-1/4	10-1/4	2-3/8	3/8	3-5/8

These measurements are for reference, for best results we suggest you measure actual product as small variations in size are possible