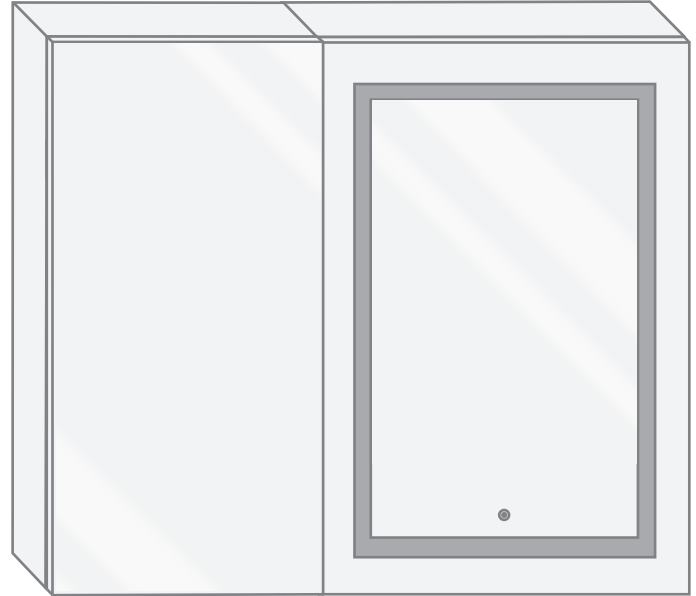


Features

- Dimmable LED task lighting
- Integrated touch sensor control with memory
- Energy efficient LED lighting 5000K
- 3100 Lumens
- CRI 90+
- Integrated Defogger

Construction

- Quality polished edge mirror
- Single phase wire installation
- 5 MM Silver Backed Copper Free
- Installation Either Surface Mount
- (Side Mirror Trim Panels included) or Recessed
- Includes installation hardware



Codes/Standards Applicable

- Conforms to UL Std. 962
- Cert. to CSA Std. C22.2 No.250.0-08
- ETL Intertek 5004931

Electrical System

- 120Vac, 60Hz, 53W
- Electric Current: 0.44A
- Wattage: 53W

Model

- SVANGE 4236R Right Swinging Door
- Included models in this configuration:
Cabinet 1=1836L Cabinet 2=2436R

Electrical System

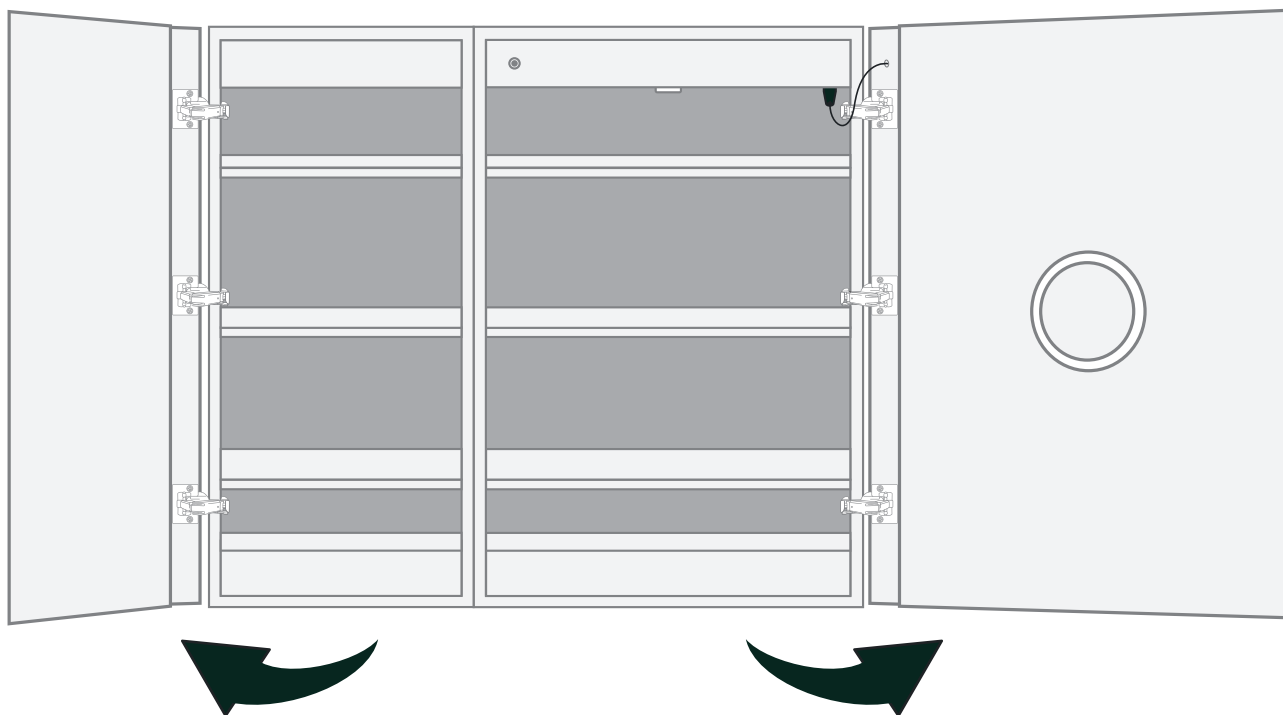
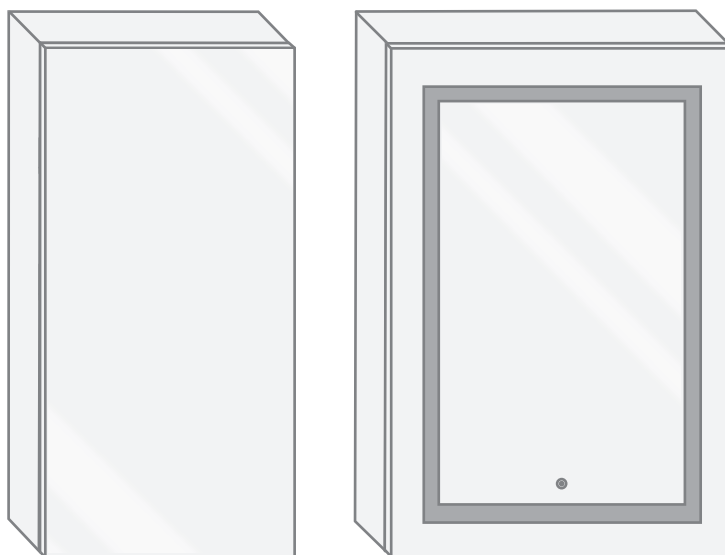
- Performance Requirements: Contains the required
- Supervisory Circuit with the Auto-Monitoring Function as noted by UL 1310
- Input Voltage: Min 112Vac, Nom 125Vac, Max 137Vac
- Frequency: 60Hz
- Front Receptacle Current: 102-132Vac Nominal 15A
- USB Output Current: 5VDC Nominal 4A

SKU

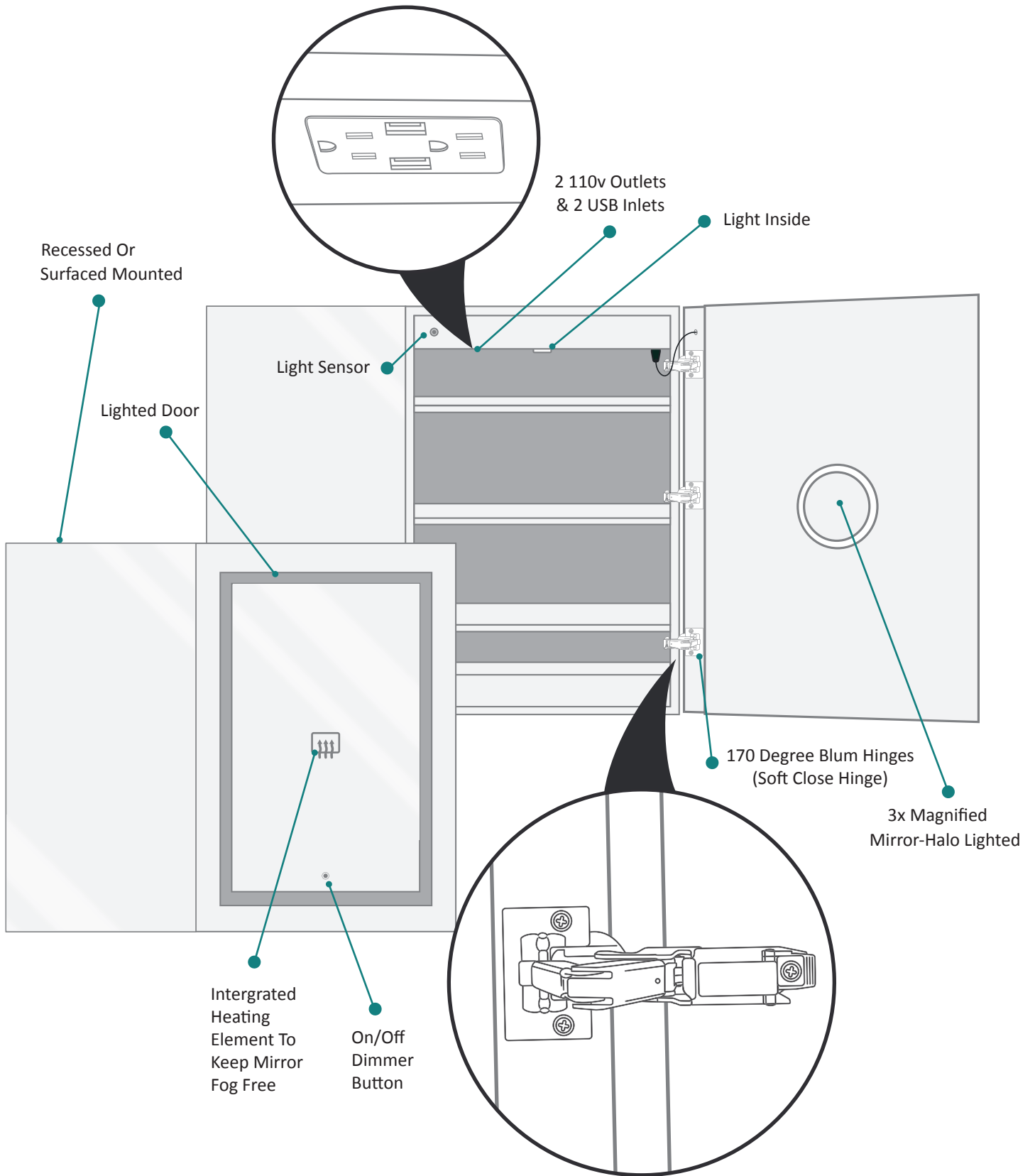
- Name: SVANGE 4236R
- Height: 36"
- Width: 42"
- Weight: 95lbs
- Shipping weight: 100lbs

CABINET CONFIGURATION

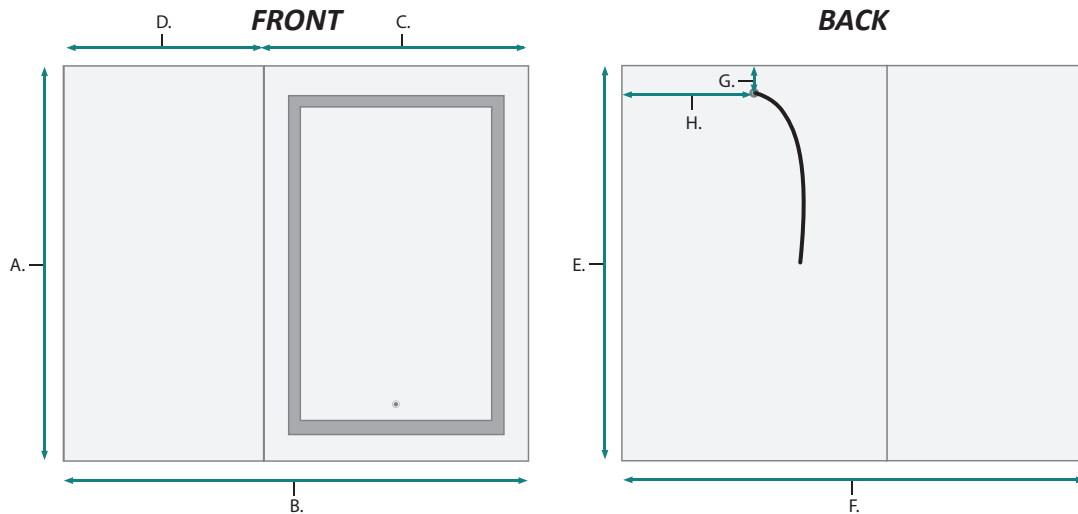
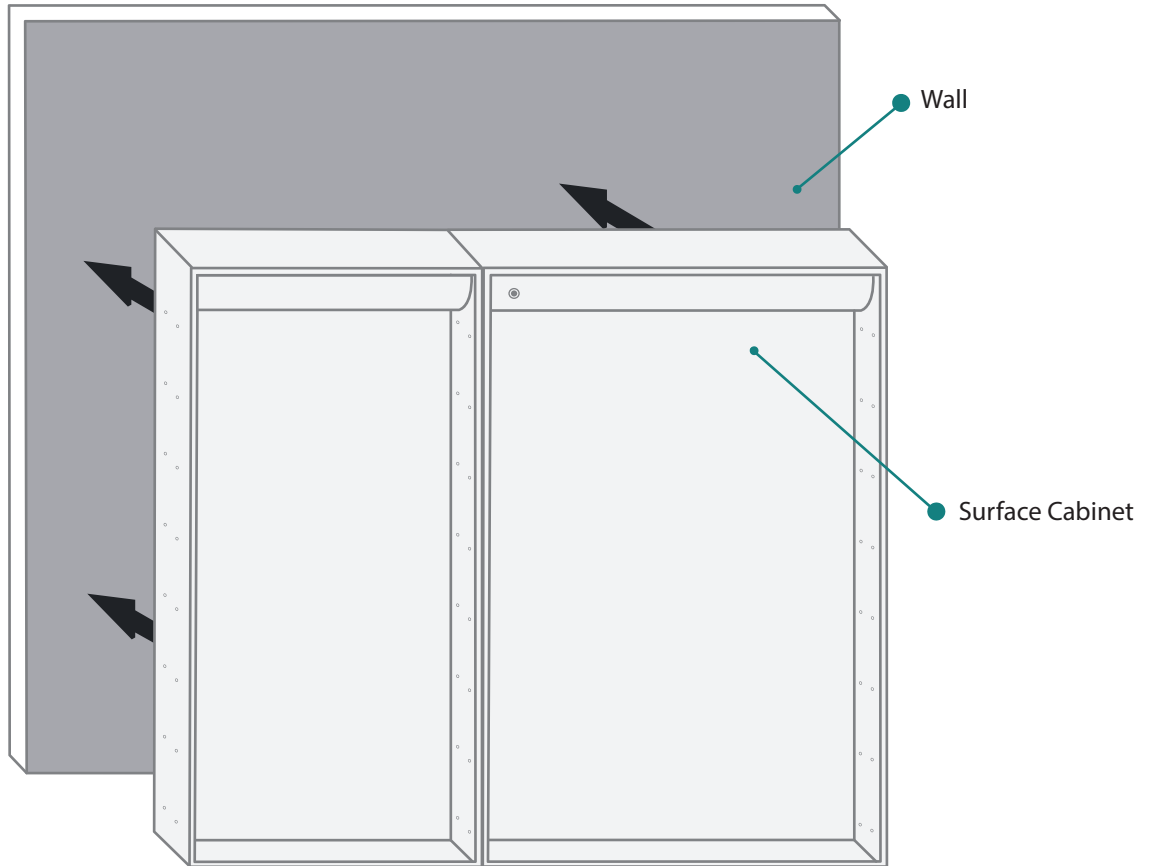
- Included models in this configuration:
Cabinet 1 = 1836L Cabinet 2=2436R



SVANGE 4236R LED Medicine Cabinet - Specification Sheet



SURFACE MOUNT

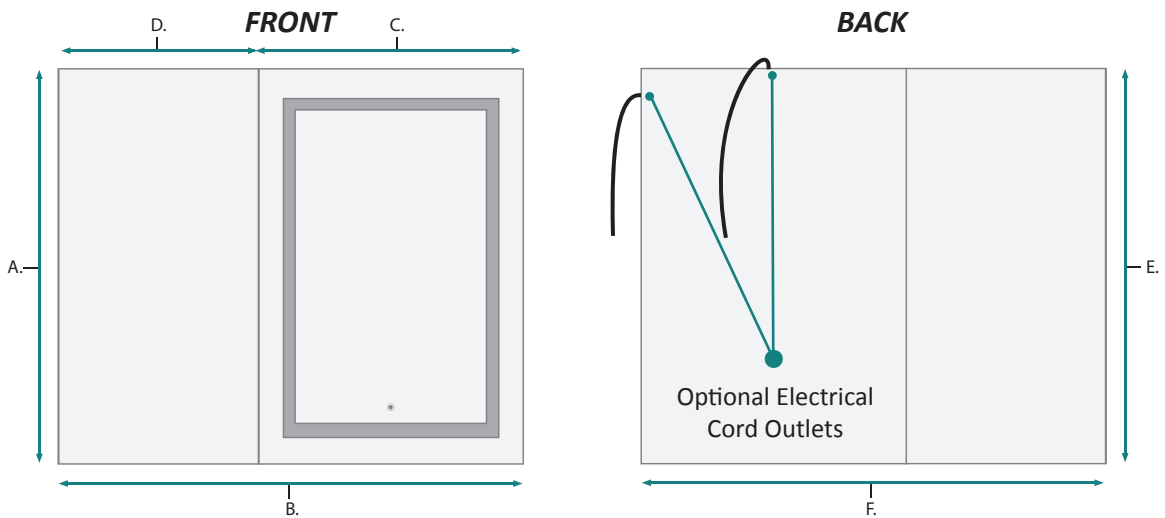
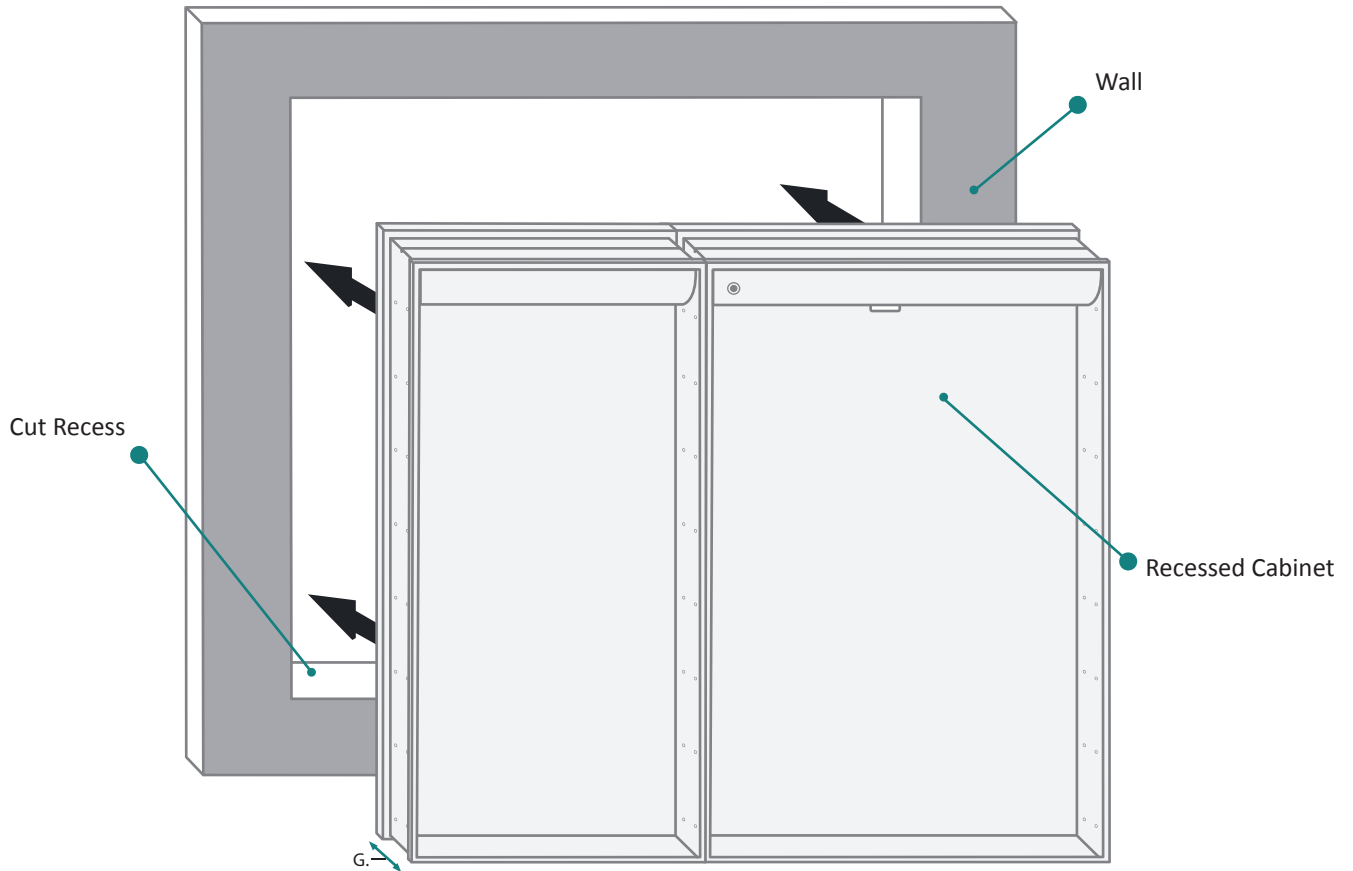


FRONT & BACKS

| MODEL | A | B | C | D | E | F | G | H |
|-------------|----|----|----|----|----|----|-------|----|
| SVANGE4236R | 36 | 42 | 24 | 18 | 36 | 42 | 1-1/8 | 12 |

These measurements are for reference, for best results we suggest you measure actual product as small variations in size are possible

RECESSED MOUNT

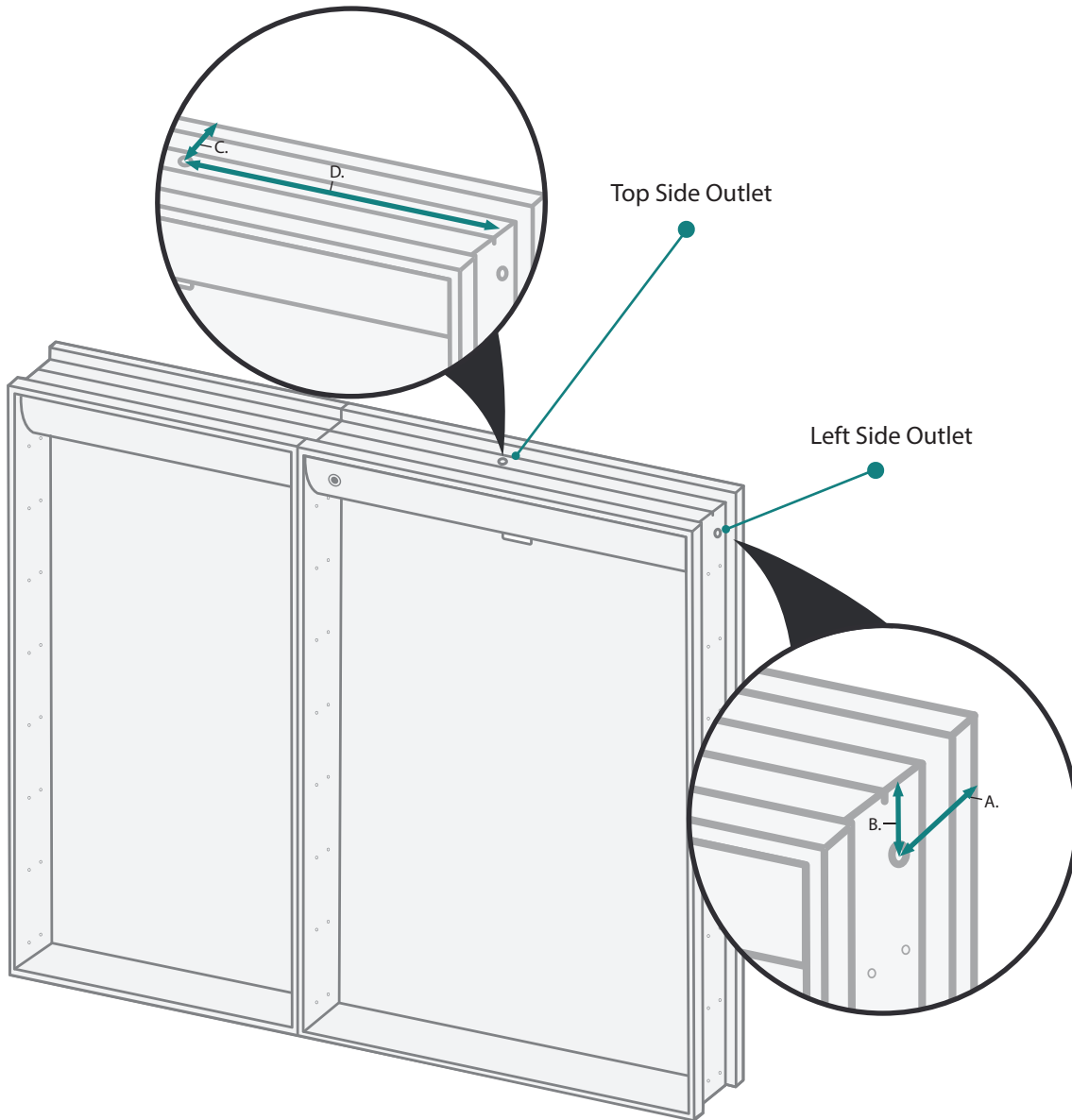


FRONT & BACKS

| MODEL | A | B | C | D | E | F | G |
|-------------|----|----|----|----|--------|--------|-------|
| SVANGE4236R | 36 | 42 | 24 | 18 | 35-1/8 | 41-1/8 | 3-1/2 |

These measurements are for reference, for best results we suggest you measure actual product as small variations in size are possible

RECESS INSTALLATION OPTIONAL ELECTRICAL CORD LOCATIONS

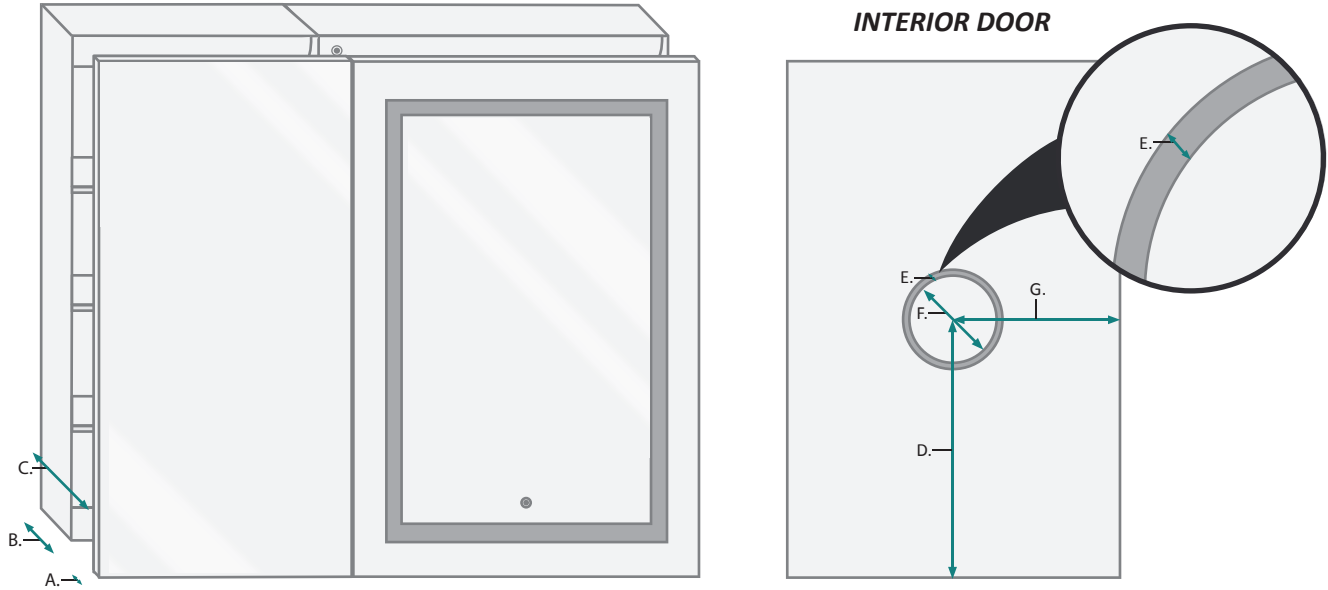


ELECTRICAL CORD LOCATIONS

| MODEL | A | B | C | D |
|-------------|-------|-------|-------|----|
| SVANGE4236R | 1-1/8 | 1-1/8 | 1-1/8 | 12 |

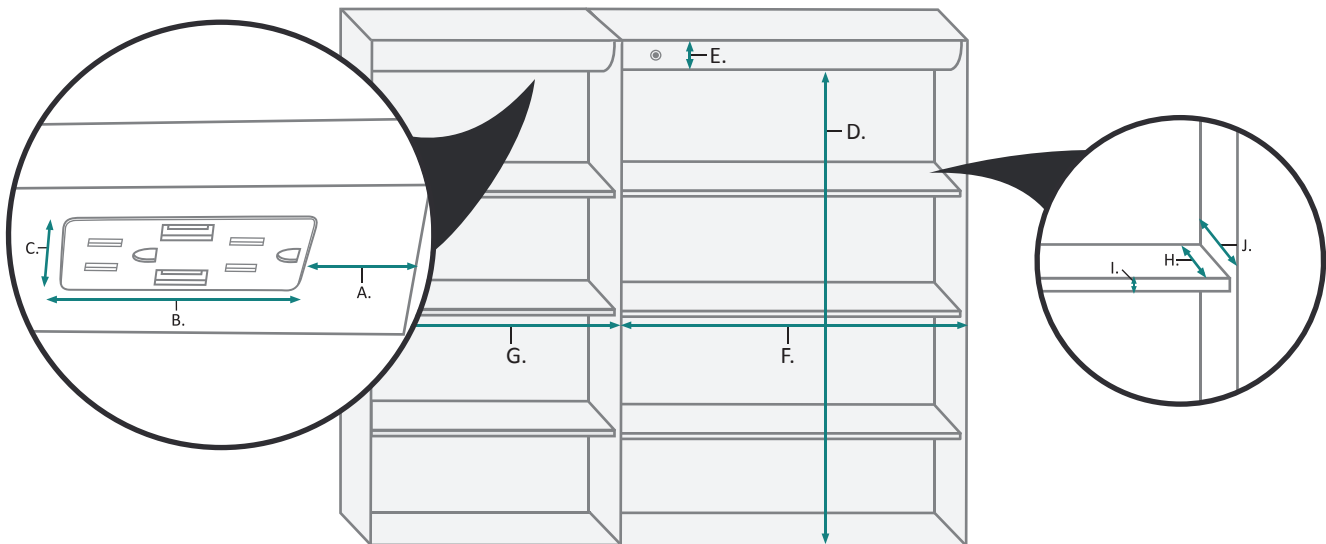
These measurements are for reference, for best results we suggest you measure actual product as small variations in size are possible

SVANGE 4236R LED Medicine Cabinet - Specification Sheet



DOOR & CABINET

| MODEL | A | B | C | D | E | F | G |
|-------------|-----|-------|---|----|-----|-------|----|
| SVANGE4236R | 7/8 | 3-1/2 | 5 | 18 | 3/8 | 5-1/4 | 13 |



INTERIOR CABINET

| MODEL | A | B | C | D | E | F | G | H | I | J |
|-------------|-------|-------|-------|----|-------|--------|--------|-------|-----|-------|
| SVANGE4236R | 3-3/4 | 5-5/8 | 1-1/4 | 32 | 2-1/4 | 22-1/4 | 16-1/4 | 2-3/8 | 3/8 | 3-5/8 |

These measurements are for reference, for best results we suggest you measure actual product as small variations in size are possible